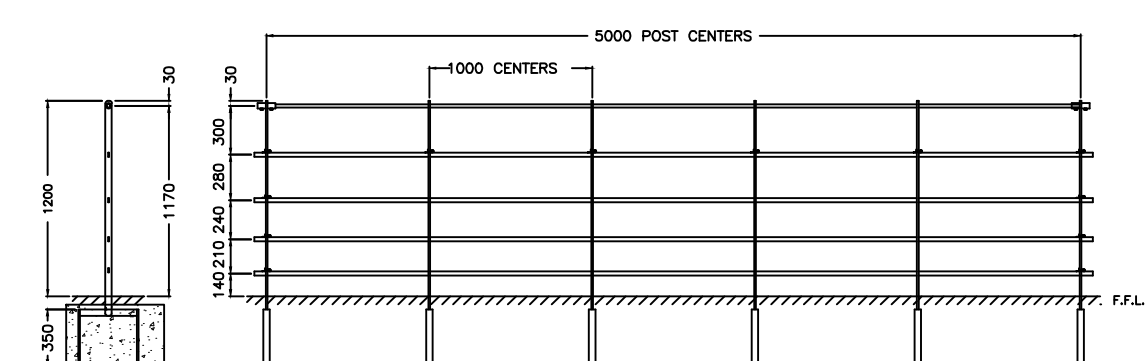


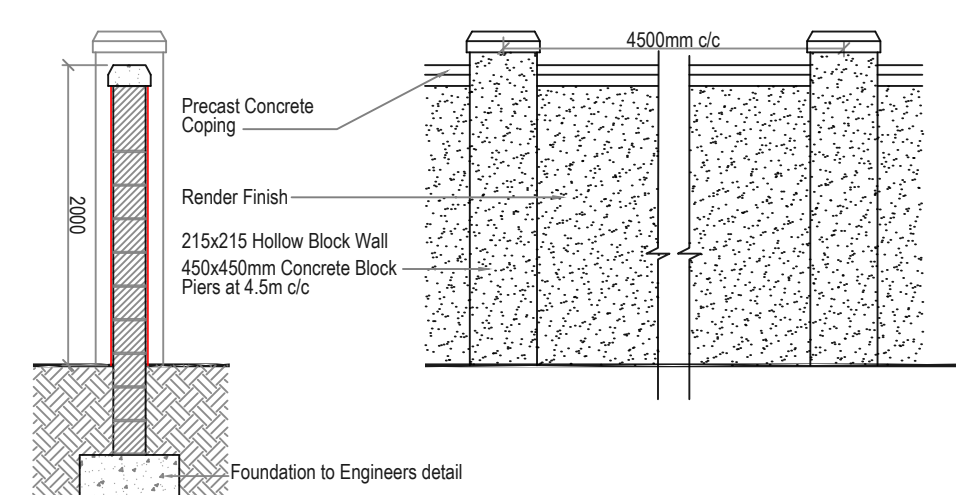
PERMEABLE PAVING TO ALL DRIVE  
 BIO-RETENTION TREE PIT TO RECEIVE FLOWS FROM PERMEABLE PAVING PROVIDE ATTENUATION STORAGE PRIOR TO DISCHARGE TO MAIN SURFACE WATER NETWORK.

### Boundary Treatments Plan

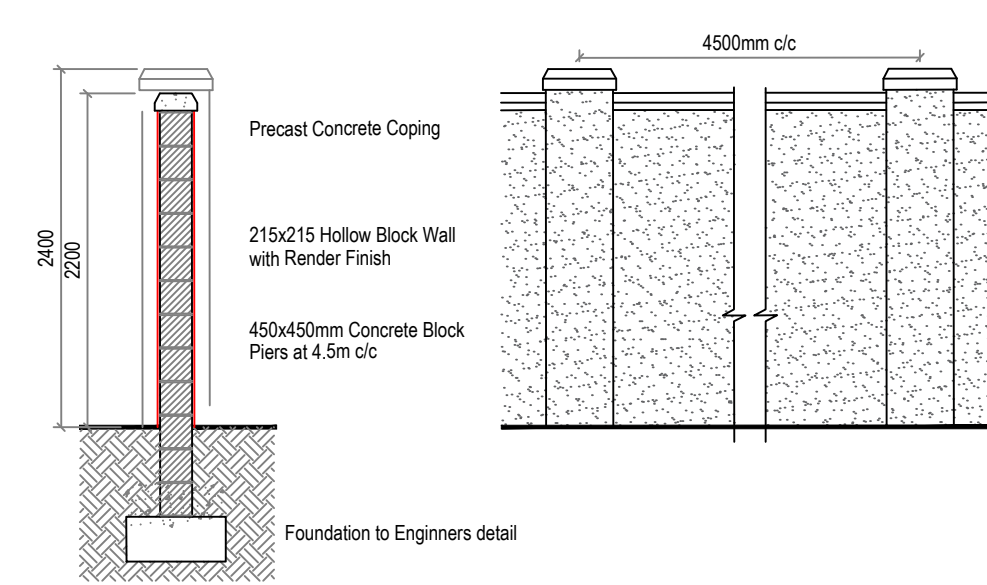
Scale 1:250



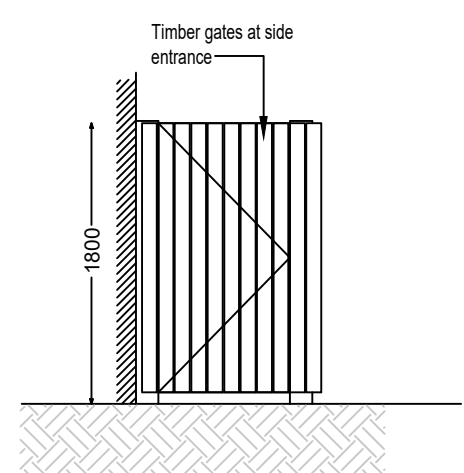
**PROPOSED BOUNDARY TREATMENT 1**  
 1200mm high horizontal railing (all elements galvanised and powder coated)  
 Scale 1:50



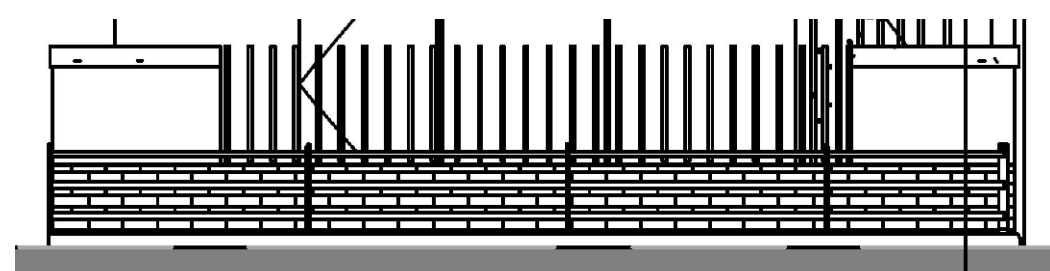
**PROPOSED BOUNDARY TREATMENT 4**  
 2000mm high concrete block wall, plastered both sides.  
 Scale 1:50



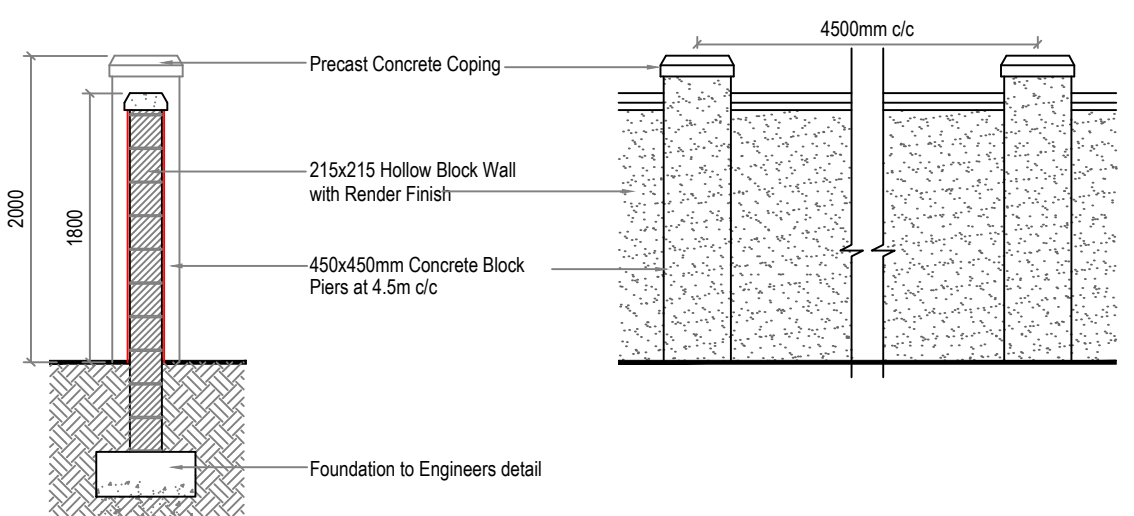
**PROPOSED BOUNDARY TREATMENT 6**  
 2400mm high concrete block wall, plastered both sides.



**PROPOSED BOUNDARY TREATMENT 2**  
 1800mm high timber side gate  
 Scale 1:50



**PROPOSED BOUNDARY TREATMENT 5**  
 Concrete block wall and section of railing on low brick wall  
 Details to be provided by KCC architect  
 Scale 1:50



**PROPOSED BOUNDARY TREATMENT 3**  
 1800mm high concrete block wall.  
 Scale 1:50

Boundary Treatments	
	<b>PROPOSED BOUNDARY TREATMENT 1</b> 1200mm high horizontal railing (all elements galvanised and powder coated)
	<b>PROPOSED BOUNDARY TREATMENT 2</b> 1800mm high timber side gate
	<b>PROPOSED BOUNDARY TREATMENT 3</b> 1800mm high concrete block wall.
	<b>PROPOSED BOUNDARY TREATMENT 4</b> 2000mm high concrete block wall, plastered both sides.
	<b>PROPOSED BOUNDARY TREATMENT 5</b> Concrete block wall and section of railing on low brick wall. Details to be provided by KCC architect
	<b>PROPOSED BOUNDARY TREATMENT 6</b> 2400mm high concrete block wall, plastered both sides.

Revision		Date	By	PROPOSED DEVELOPMENT AT EVIN'S PARK, MONASTEREVIN, CO. KILDARE  <b>BOUNDARY DETAILS</b>
Landmark Design & Consultancy Ltd. BALLINAFAGH PROSPEROUS NAAS CO. KILDARE M: 086 851 9294 E: info@landmarkdesigns.ie				Date: 17.10.2023 Job No: P750 Drawing No: 03 Rev: 0
Designed: GWEN TIERNEY Landscape Architect	Status: PLANNING	Scale: NTS	Drawn: GT	