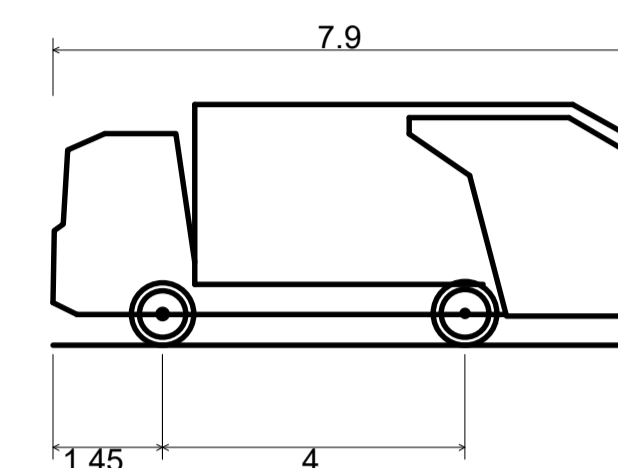


**NOTES**

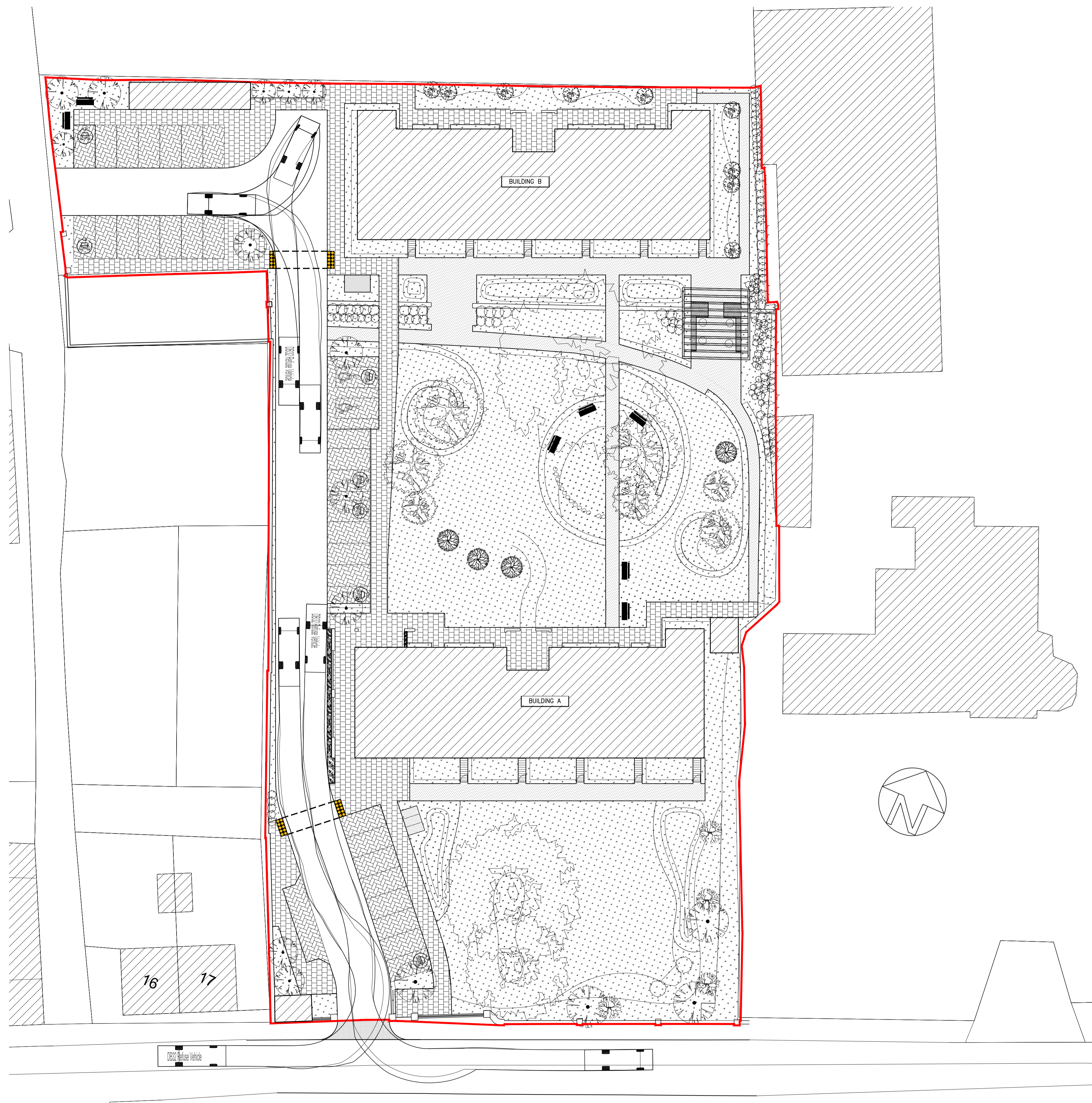
**GENERAL**


- 1.) THESE DRAWINGS TO BE READ IN CONJUNCTION WITH ALL RELEVANT HAYES HIGGINS ENGINEERING DRAWINGS AND SPECIFICATIONS.
- 2.) DO NOT SCALE. USE FIGURED DIMENSIONS ONLY.



DB32 Refuse Vehicle  
 Overall Length 7.900m  
 Overall Width 2.400m  
 Overall Body Height 3.183m  
 Min Body Ground Clearance 0.388m  
 Max Track Width 2.400m  
 Lock-to-lock time 6.00s  
 Curb to Curb Turning Radius 9.625m

7.900m  
 2.400m  
 3.183m  
 0.388m  
 2.400m  
 6.00s  
 9.625m



P	10.08.23	ISSUED FOR PLANNING	FS	LM
REV	DATE	DESCRIPTION	DWG BY	APPR BY
ISSUED				
PLANNING				
CLIENT				
SOPHIA HOUSING				
PROJECT NAME				
ST JOHN'S CONVENT RATHANGAN				
DRAWING NAME				
PROPOSED SWEEP PATH ANALYSIS – REFUSE TRUCK SHEET 3 OF 3				
PROJECT No.				
20D004				
DRAWING No.		REVISION		
06C		P		
SCALE		DRAWN DATE		
1:250		10.08.23		
CAD DRAWN BY	CHECKED BY	APPROVED BY		
F.S.	L.M.	D.H.		
 <b>HAYES HIGGINS PARTNERSHIP</b> The Glass House, 11 Coke Lane Smithfield, Dublin 7. Tel: 01 6612321 E-mail: admin@hayeshiggins.ie <small>Gas House Lane, Kilkenny. Tel: (056) 7764710                  Email: info@hhp.ie</small>				