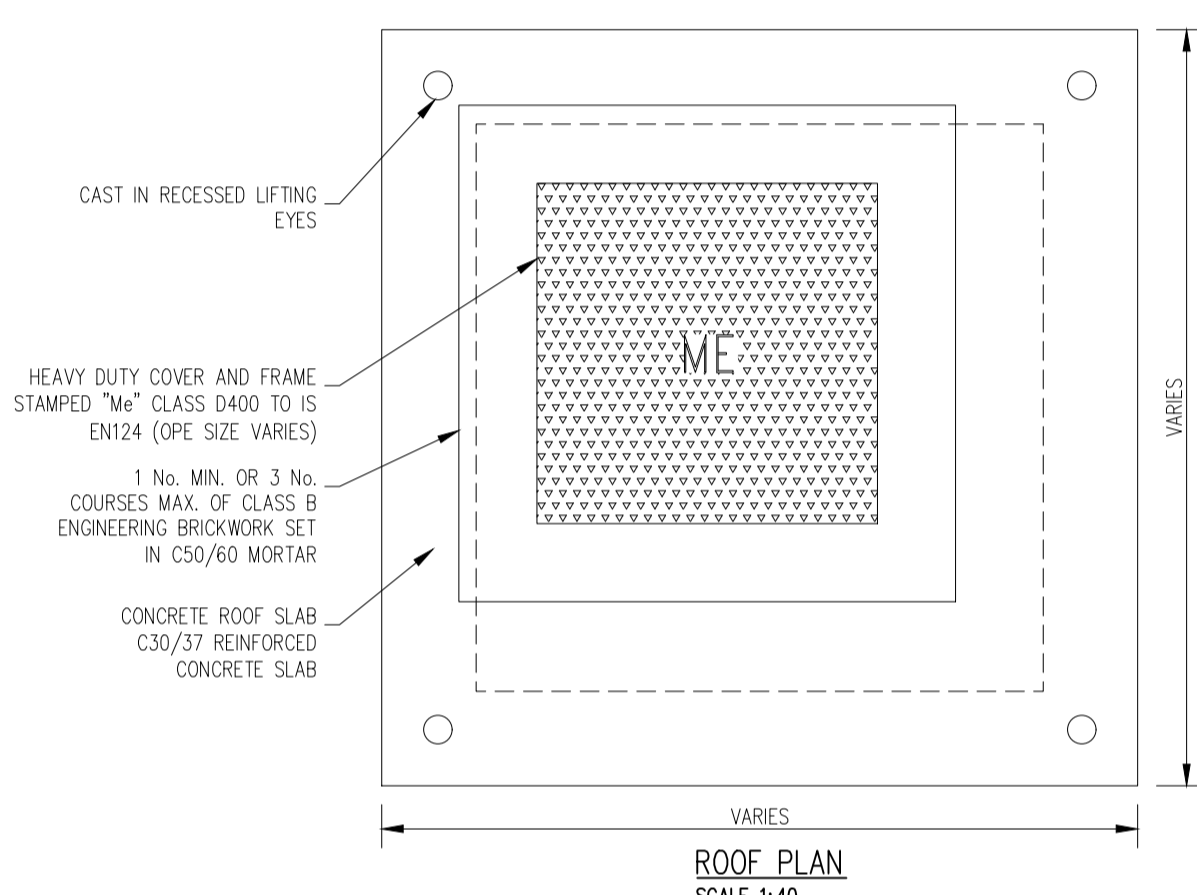
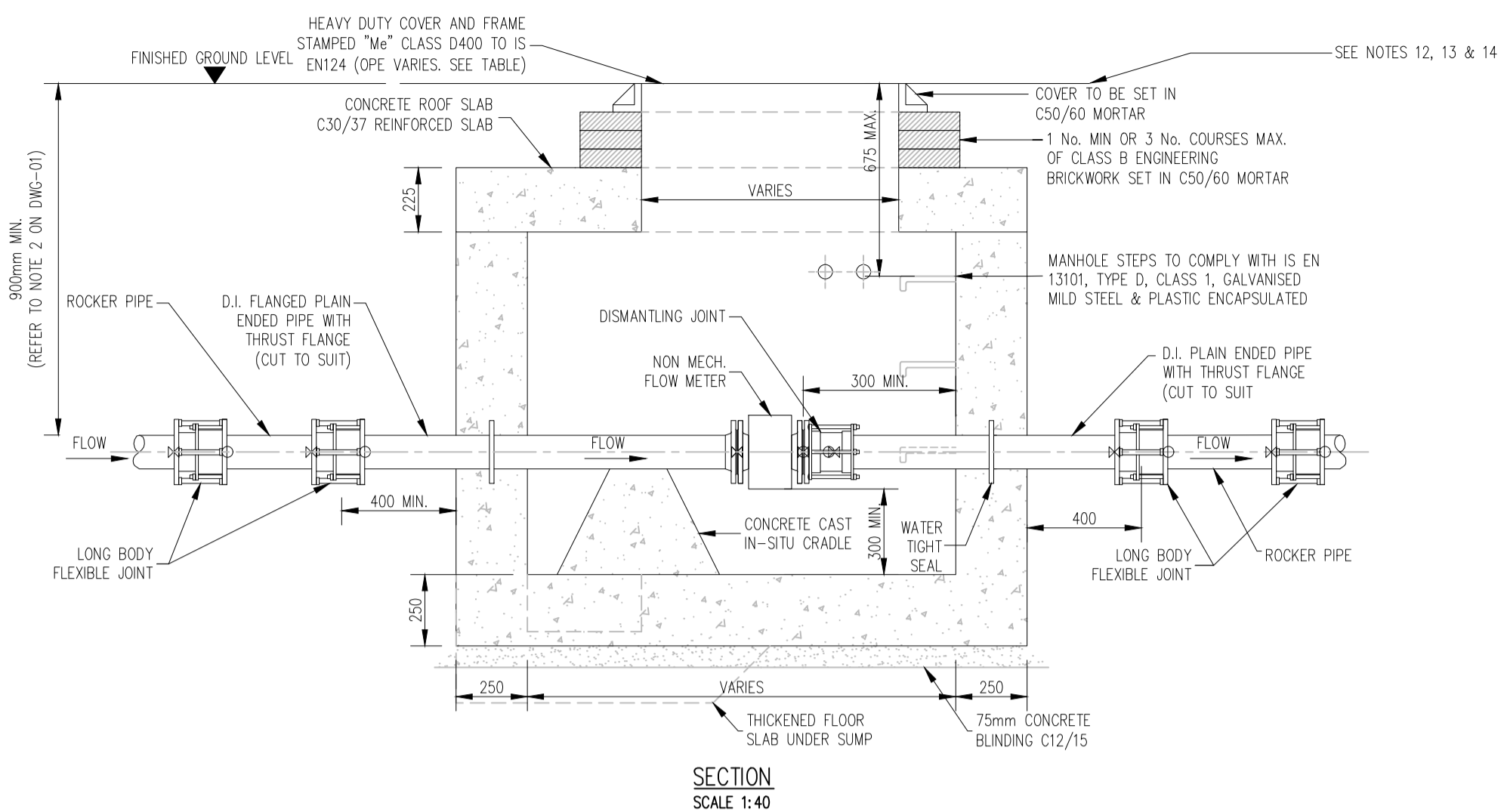


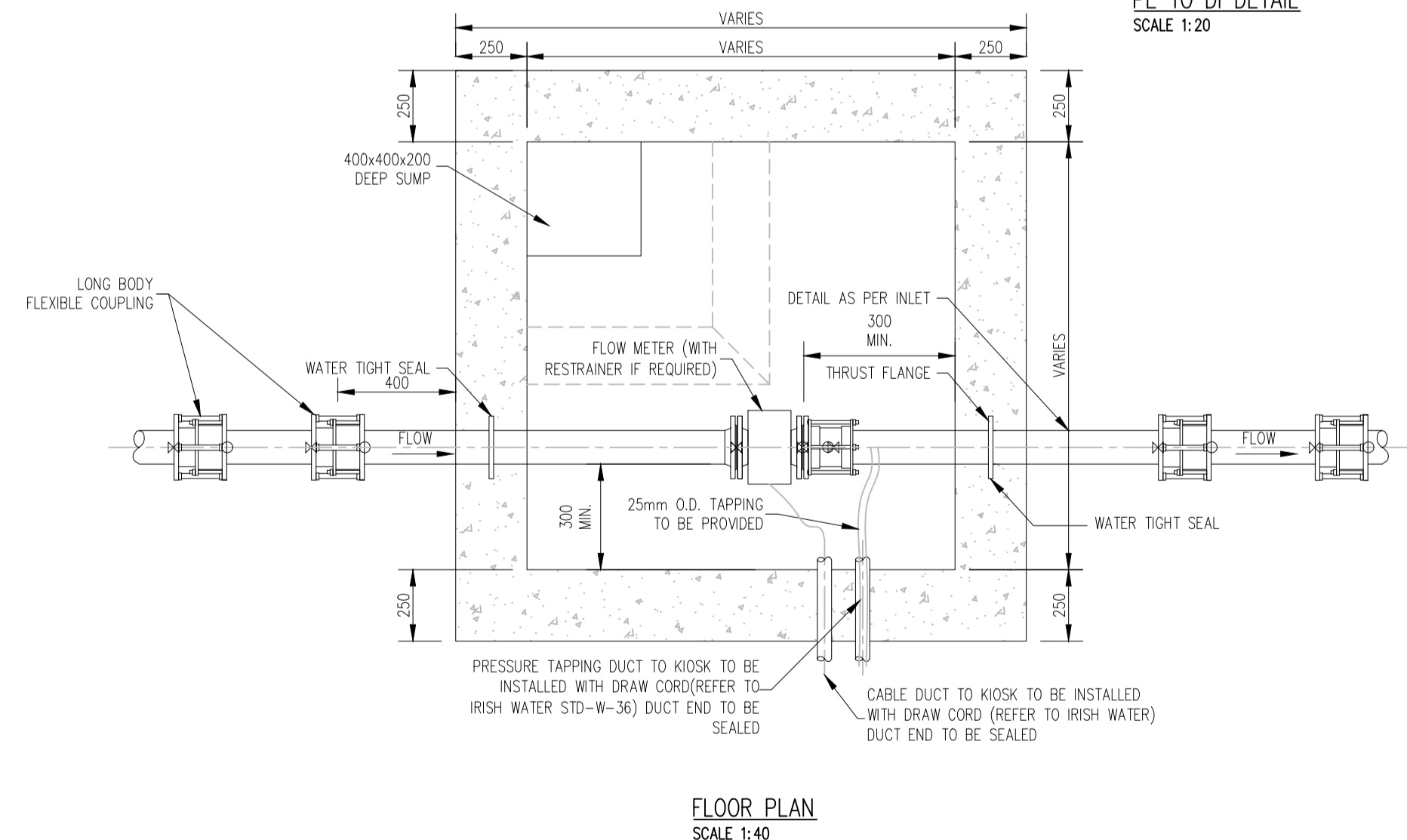
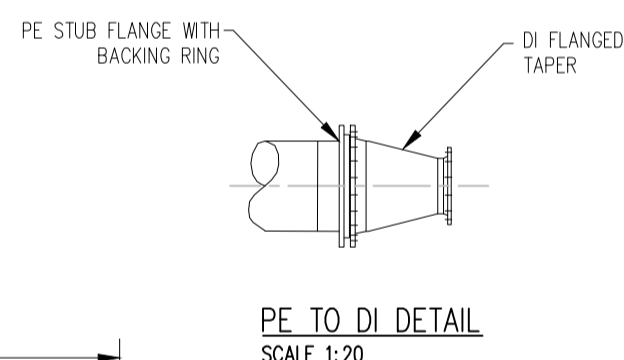
NOTES

GENERAL

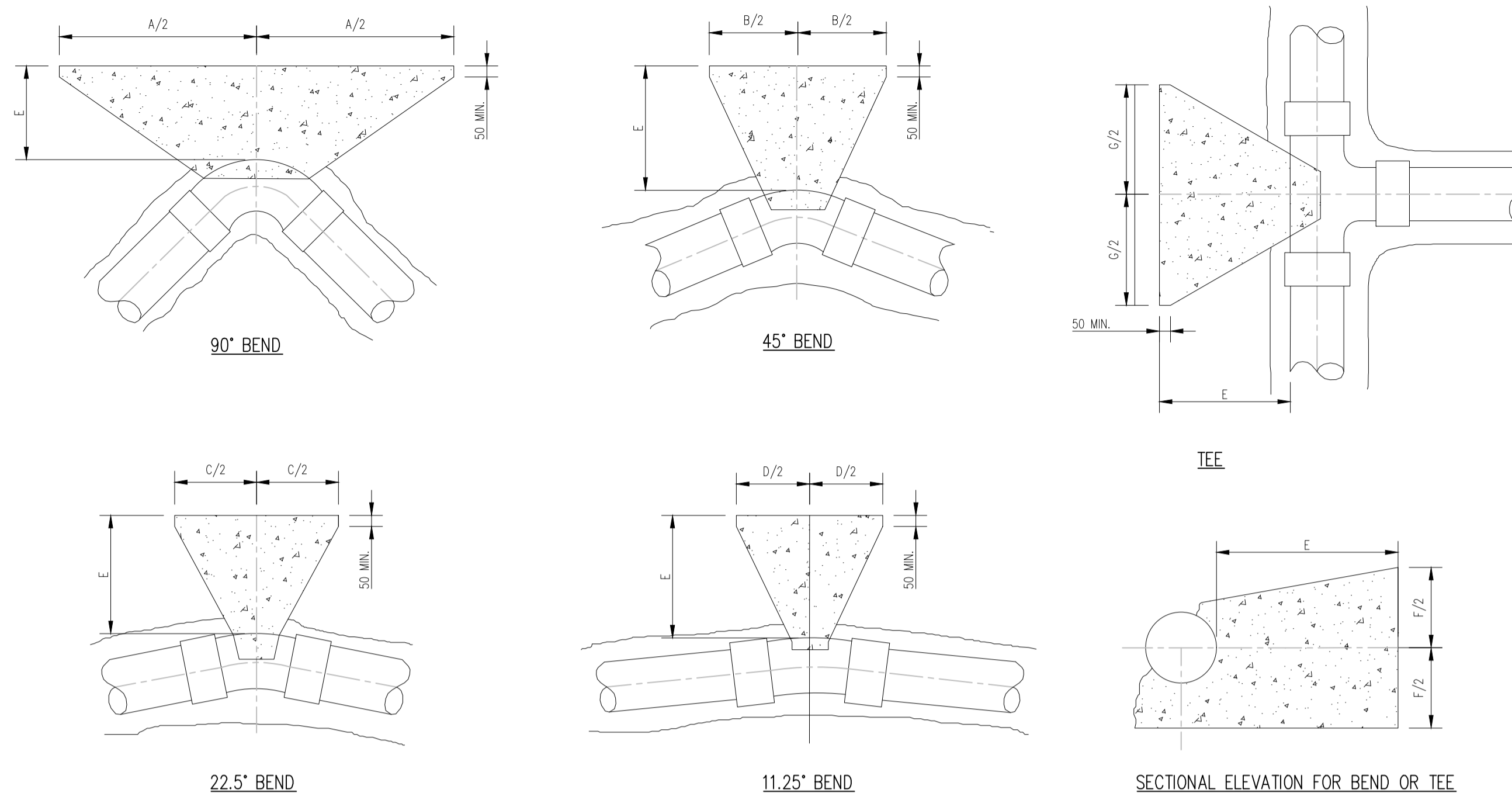
- 1.) THESE DRAWINGS TO BE READ IN CONJUNCTION WITH ALL RELEVANT HAYES HIGGINS ENGINEERING DRAWINGS AND SPECIFICATIONS.
- 2.) DO NOT SCALE. USE FIGURED DIMENSIONS ONLY.



METER DIAMETER 'A' (mm)	INTERNAL CHAMBER DIMENSIONS	COVER DIMENSIONS
50 - 100	1200 x 1200mm	750 x 750mm
101 - 250	1500 x 1500mm	900 x 900mm

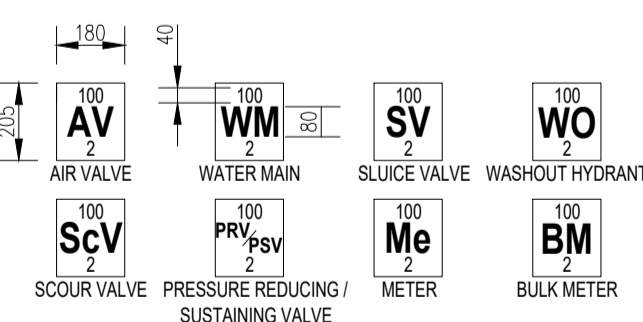
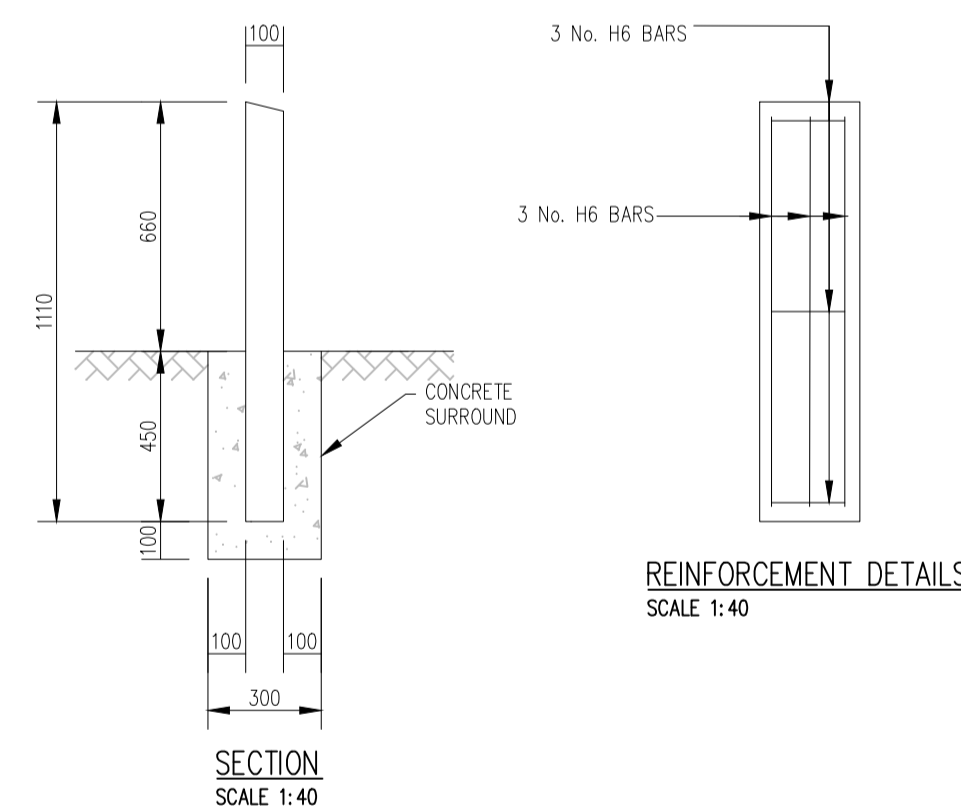
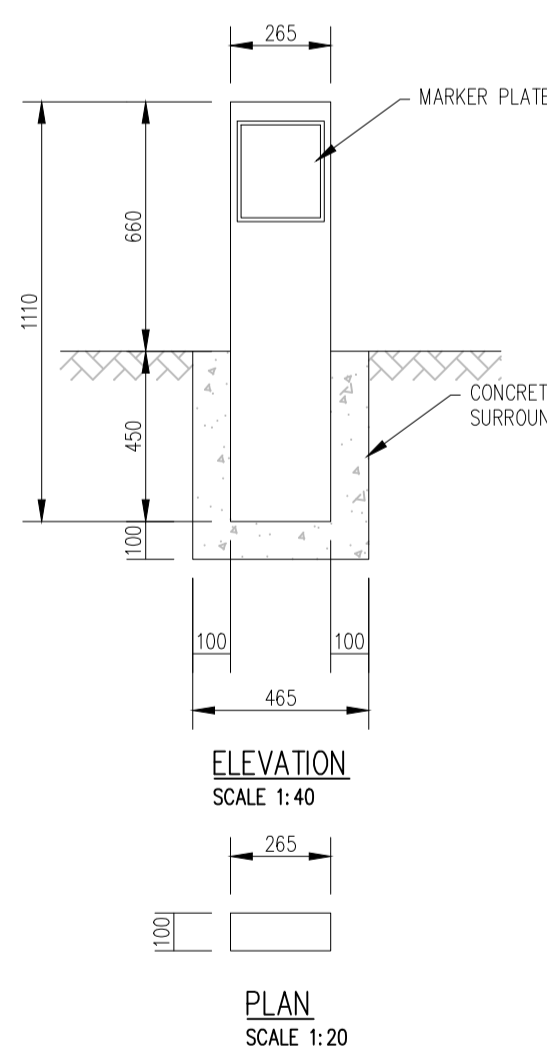


DETAIL 05 - NON-MECH. METER CHAMBER (40-250mm ø)

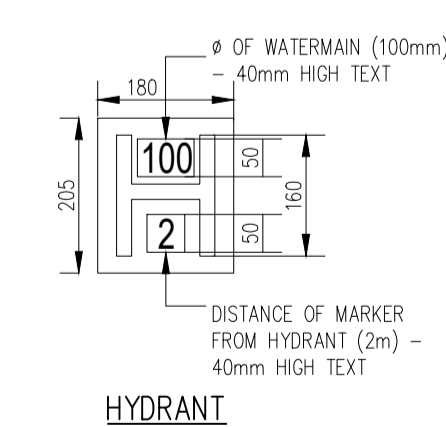


NOM. DIAMETER (mm)	15 BAR TO 18 BAR TEST PRESSURE						
	DIMENSIONS						
	'A'	'B'	'C'	'D'	'E'	'F'	'G'
100	750mm	400mm	205mm	100mm	220mm	400mm	530mm
150	1250mm	700mm	350mm	180mm	250mm	500mm	890mm

DETAIL 06 - WATER MAIN THRUST AND SUPPORT BLOCKS



DETAIL 07 - MARKER POSTS/PLATES



REV	DATE	DESCRIPTION	DWG BY	APP BY
P	10.08.23	ISSUED FOR PLANNING	FS	LM
ISSUED				
PLANNING				
CLIENT				
SOPHIA HOUSING				
PROJECT NAME				
ST JOHN'S CONVENT RATHANGAN				
DRAWING NAME				
IRISH WATER WATERMAIN DETAILS SHEET 2 OF 4				
PROJECT No.				
20D004				
DRAWING No.		REVISION		
04B		P		
SCALE		DRAWN DATE		
AS SHOWN		10.08.23		
CAD DRAWN BY		CHECKED BY		APPROVED BY
F.S.		L.M.		D.H.

HAYES HIGGINS PARTNERSHIP
 The Glass House, 11 Coke Lane Smithfield, Dublin 7. Tel: 01 6612321
 E-mail: admin@hayeshiggins.ie
 Gas House Lane, Kilkenny. Tel: (056) 7764710
 Email: info@hhp.ie