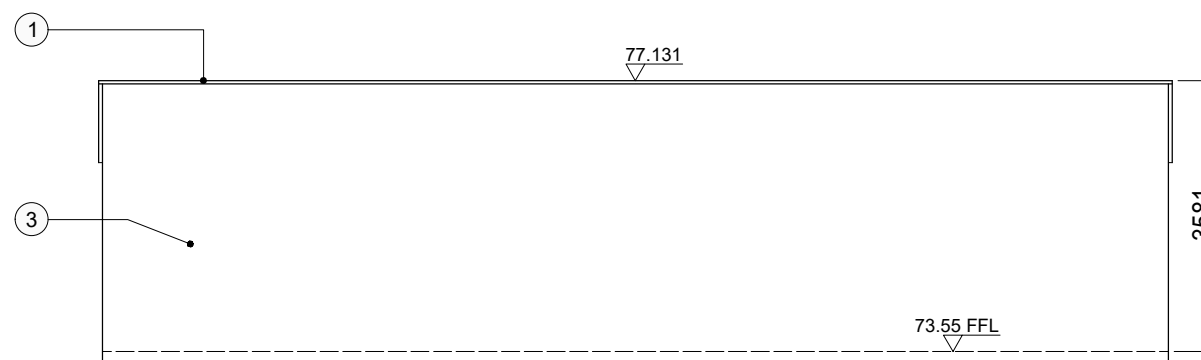


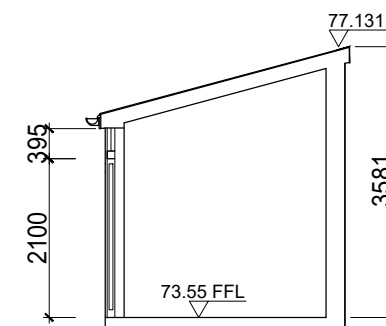
**Bin/ Bicycle Storage - Side Elevation**

Scale 1:100 @ A3



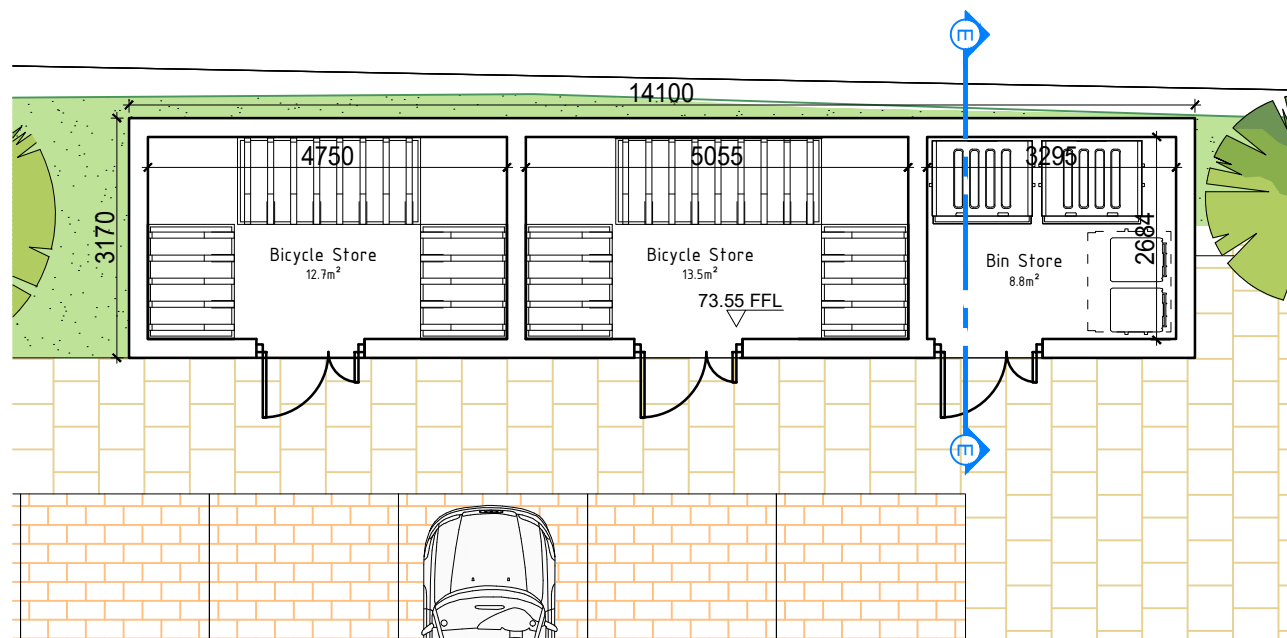
**Bin/ Bicycle Storage -Rear Elevation**

Scale 1:100 @ A3



**Bin/ Bicycle Storage - Section E-E**

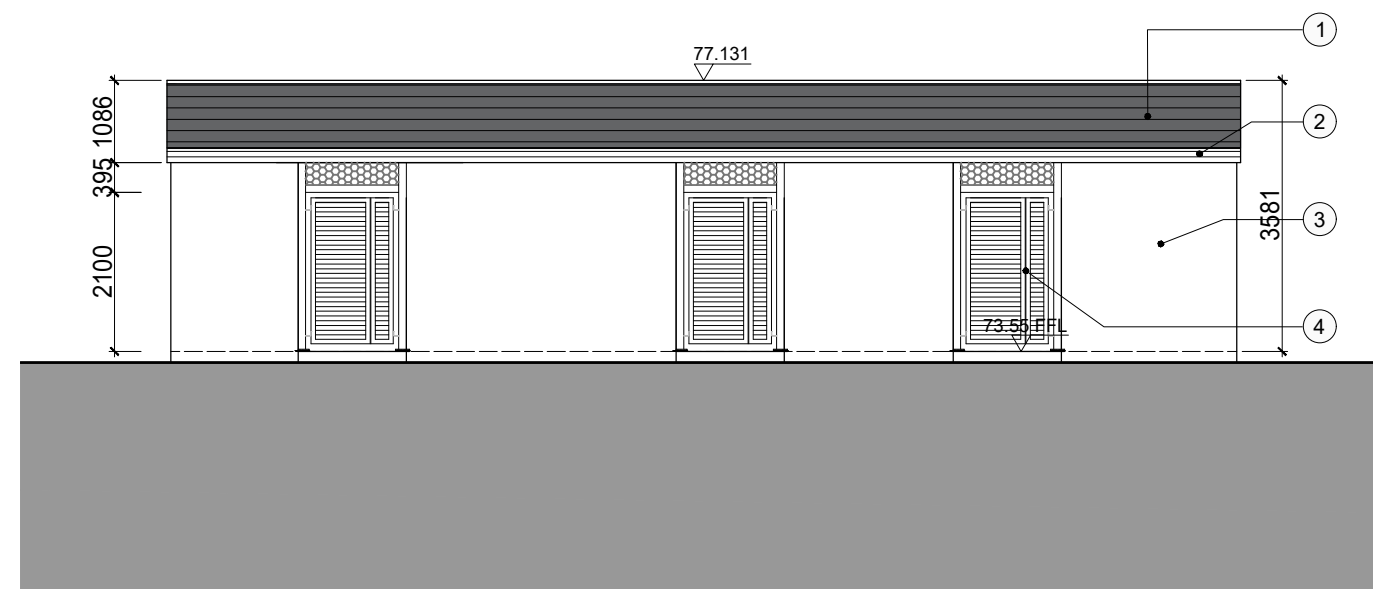
Scale 1:100 @ A3



**Bin/ Bicycle Storage - Proposed Ground Floor Plan**

Scale 1:100 @ A3

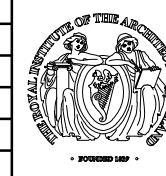
- ① Selected Tiled Roof
- ② Selected Rainwater System
- ③ Selected Metal Louver Door
- ④ Selected Coloured Render Finish



**Bin/ Bicycle Storage -Front Elevation**

Scale 1:100 @ A3

REVISIONS AFTER LAST PLOT:	



PROJECT: Development at St John's Convent, New Street, Rathangan, Co. Kildare	DATE: 21/03/2024	SCALE: 1:100@A3
DRAWN: RN	JOB NO.: 20003	DWG. NO.: P-031
DRAWING: Bin & Bicycle Store Building Plans, Elevations, Sections	Stage: PLANNING	Revision:
<b>wash associates</b> ARCHITECTS & PROJECT MANAGERS <small>Copyright © 2003 Wash Associates All Rights Reserved.</small>		
Merchants House, 27-30 Merchants Quay, Dublin 8. Tel: (01) 633 4261. Fax (01) 633 4265 Email: info@washassociates.ie		