

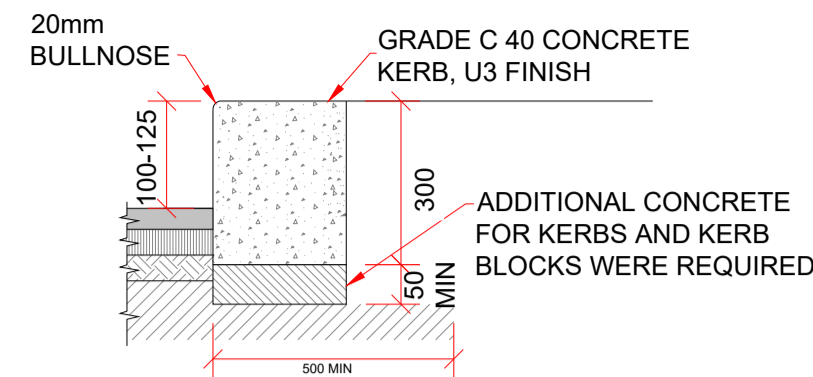
**TYPICAL DROPPED KERB & TACTILE DETAIL**  
SCALE 1:50



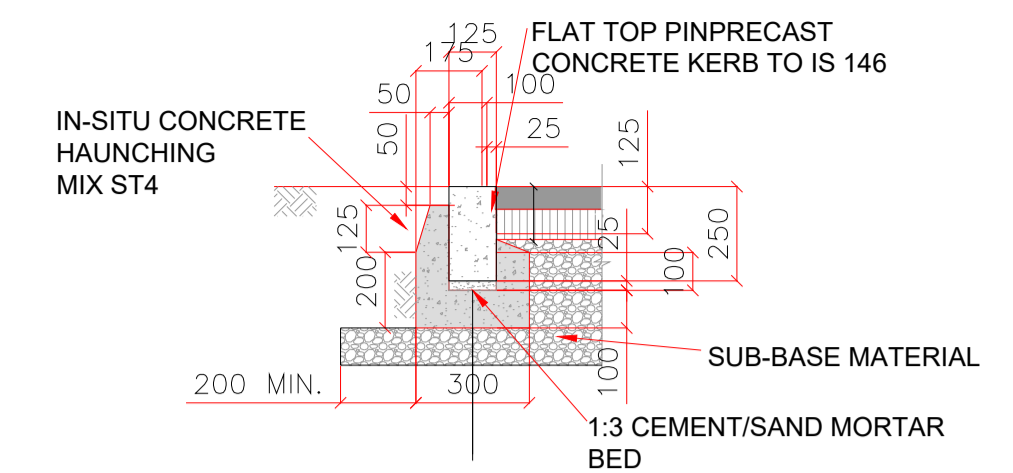
**Tactile Notes:**

- Tactiles to be laid 50mm of 3:1 semi-dry sand:cement, on;
- 100mm semi-dry CBGM A, with a minimum of 20N Strength;
- Sand shall conform to BS 7533-4:2006.

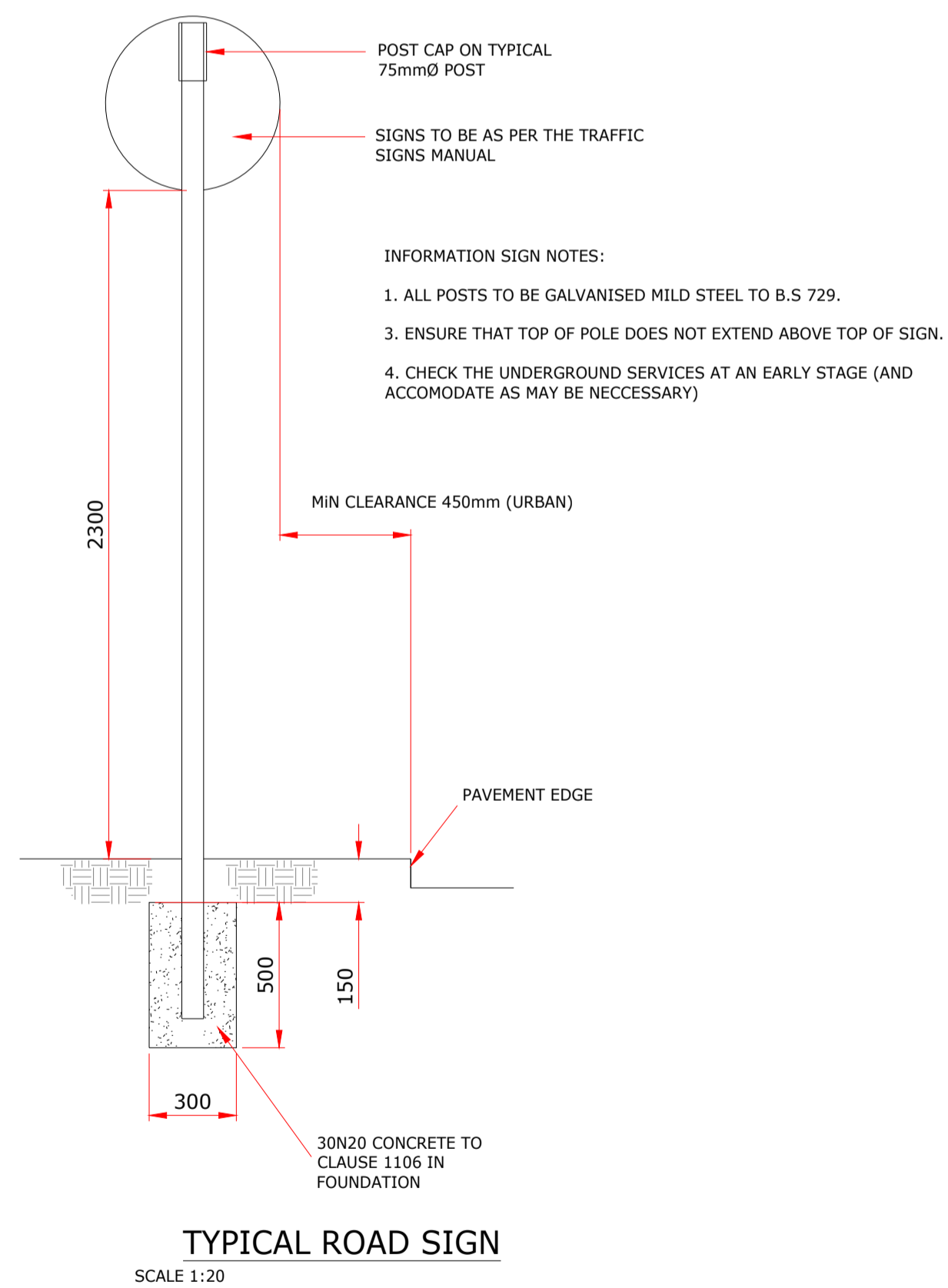
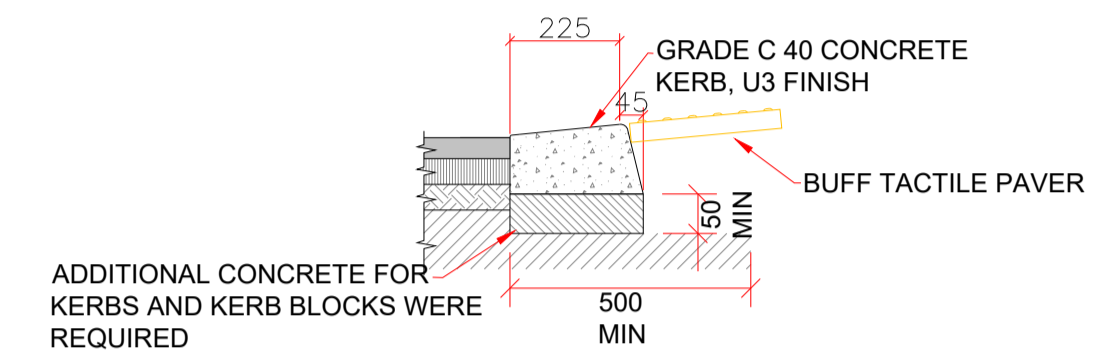
**TYPICAL CONCRETE KERB DETAIL**  
SCALE 1:25



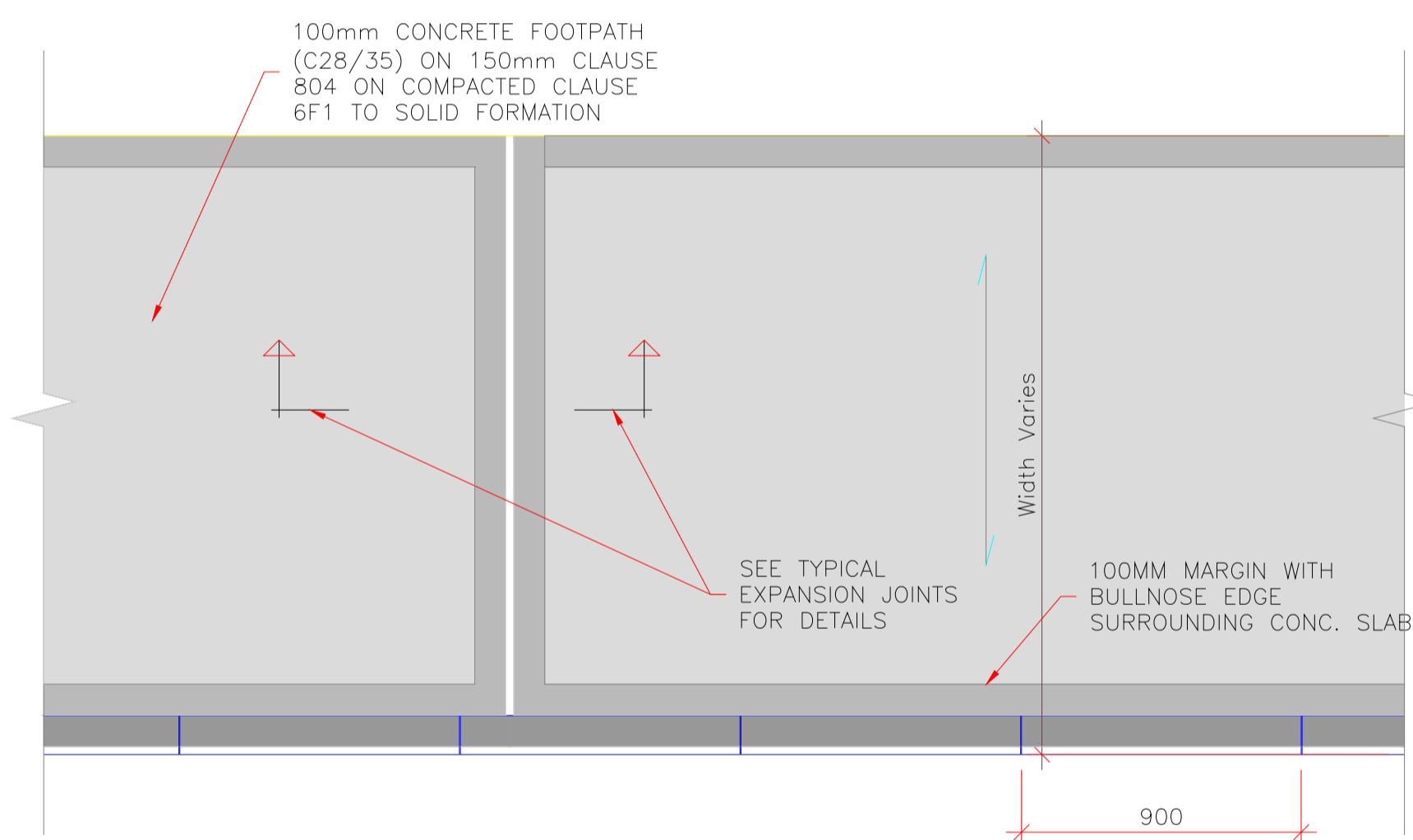
**FLAT TOP PIN KERB DETAIL**  
SCALE 1:25



**TYPICAL DROP KERB DETAIL**  
SCALE 1:25

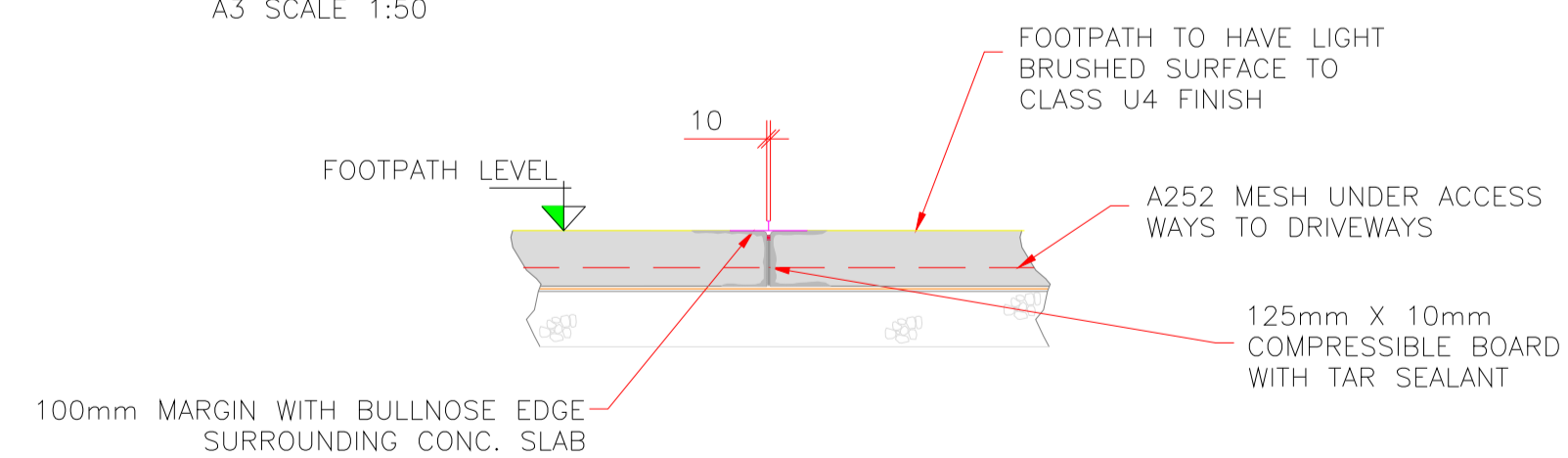


**TYPICAL ROAD SIGN**  
SCALE 1:20



**TYPICAL PLAN OF FOOTPATH**

A1 SCALE 1:25  
A3 SCALE 1:50

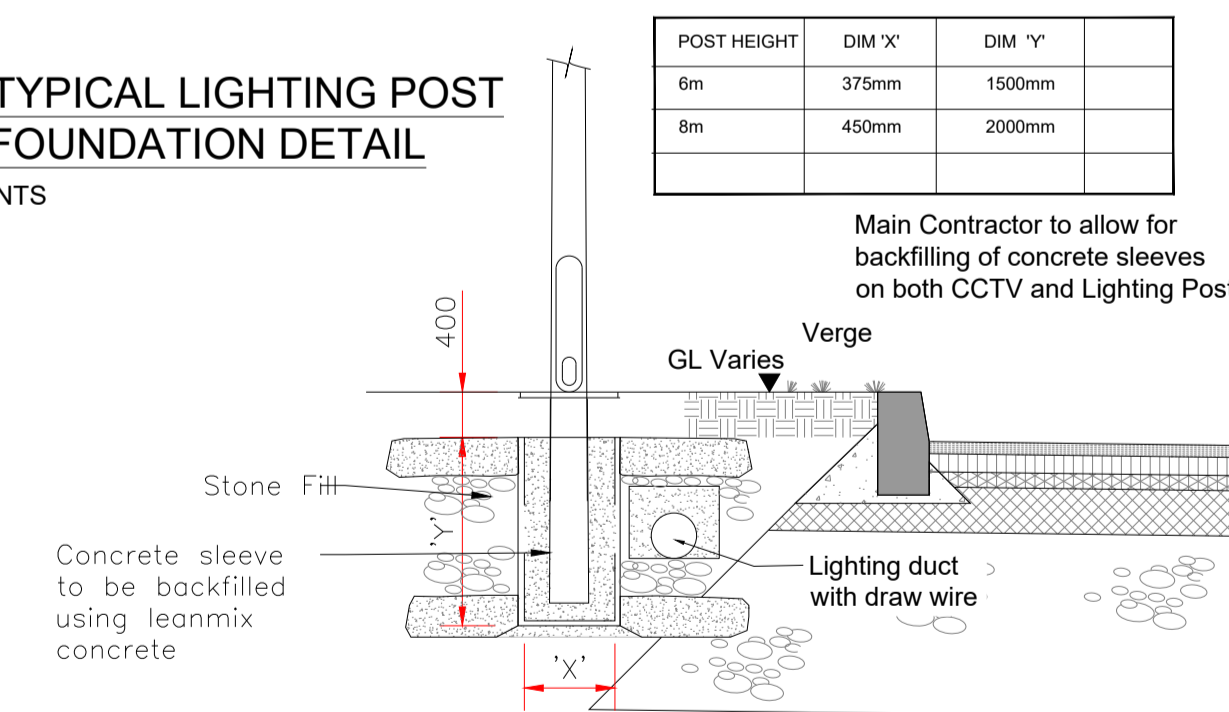


**TYPICAL FOOTPATH EXPANSION JOINT**  
- MIN @ 3M CTRS

NTS

**TYPICAL LIGHTING POST FOUNDATION DETAIL**

NTS



- NOTES GENERAL:**
- FIGURED DIMENSIONS ONLY TO BE TAKEN FROM THIS DRAWING
  - ALL DRAWINGS TO BE CHECKED BY THE CONTRACTOR ON SITE
  - ENGINEER TO BE INFORMED BY THE CONTRACTOR OF ANY DISCREPANCIES BEFORE ANY WORK COMMENCES
  - THIS DRAWING IS TO BE READ IN CONJUNCTION WITH RELEVANT DRAWINGS AND SPECIFICATIONS.
  - ALL LEVELS SHOWN RELATE TO ORDNANCE SURVEY DATUM AT MALIN HEAD

Rev	Date	Description	By	Chkd.
P01	15/05/2023	ISSUED FOR PLANNING	PF	MC

Client:

Project: **Ardclough Road Celbridge**

Title: **ROADS & HARDSTANDING DETAILS SHEET 1 OF 2**

Scale @ A1:	<b>AS SHOWN</b>		
Prepared by:	Checked:	Date:	
P. FANNING	M. CASEY	MAY 2023	
Project Director:	Brian Carroll		
Drawing Status:	PLANNING		

**TOBIN**  
CONSULTING ENGINEERS

TOBIN Consulting Engineers,  
Block 10-4, Blanchardstown Corporate Park,  
Dublin 15, Ireland.  
tel: +353-(0)1-8030406  
fax: +353-(0)1-8030409  
e-mail: dublin@tobin.ie  
www.tobin.ie