

- LAY INBITEX GEOTEXTILE, INTERGRID, AND CLEAN CRUSHED STONE
  - LAY MINIMUM 80mm OF DENSE BITUMEN MACADAM OVER CLEAN CRUSHED STONE (SEE SPECIFICATION)
- AFTER BUILDING WORK IS COMPLETED
- CLEAN DENSE BITUMEN MACADAM SURFACE
  - CUT 50MM DIAMETER HOLES AT 0.8m CENTRES THROUGH THE DBM SURFACE INTO THE CLEAN CRUSHED STONE
  - FILL HOLES WITH 2-6mm CLEAN CRUSHED STONE
  - LAY INBITEX, 2-6mm CLEAN CRUSHED STONE LAYING COURSE AND AQUAFLOW BLOCKS
  - CONCRETE BLOCKS

**TYPICAL SECTION THROUGH FORMPAVE AQUAFLOW INFILTRATION SYSTEM**

STORM WATER SOURCE CONTROL SYSTEM  
AQUAFLOW PAVING.

TYPE(S) OF PAVING  
PERMEABLE CONCRETE BLOCK PAVING

REFERENCE  
AQUAFLOW

SIZE  
100X200X80 THICK

COLOURS  
RED BRINDLE, GOLDEN BRINDLE, NATURAL, CHARCOAL, BURNT RED.

SETTING OUT  
AQUAFLOW AND AQUASETTS:  
90° HERRINGBONE WITH SINGLE STRETCHER COURSE AROUND ALL PERIMETERS.

KERBS  
STANDARD KERB SYSTEM OR FOREST EDGING:  
BOTH TO BE HAUNCHED WITH CONCRETE.

LAYING COURSE\*  
50MM DEPTH OF 2-6mm SINGLE SIZE CLEAN CRUSHED STONE TO:  
BS EN 13242:2002

GEOTEXTILE  
INBITEX GEOTEXTILE AS NOTED

SUBBASE SPECIFICATION\*  
THE GRANULAR SUB-BASE MATERIAL SHALL COMPRISE CRUSHED ROCK OR CONCRETE POSSESSING WELL DEFINED EDGES. IT MUST BE SOUND, CLEAN, NON FRIABLE AND FREE FROM CLAY OR OTHER DELETERIOUS MATTER.

THE MATERIAL MUST BE NON PLASTIC WHEN TESTED IN ACCORDANCE WITH BS 1377 TEST NO 4 \*THE CRUSHED STONE USED FOR THE LAYING COURSE AND SUB-BASE MUST HAVE A MINIMUM 10% FINES VALUE OF 150 KN WHEN TESTED IN ACCORDANCE WITH BS 812 PART 111.

THE SELECTED TEST SAMPLES NOT BE OVER DRIED AND SHOULD BE SOAKED IN WATER AT ROOM TEMPERATURE FOR 48-HOURS BEFORE THE TEST. THE 100MM DEEP UPPER LAYER OF SUB-BASE MATERIAL SHOULD BE GRADED 20MM-5MM TO BS882.  
THE 63-10MM MATERIAL SHOULD BE GRADED AS FOLLOWS:-

BS SIEVE SIZE	%PASSING
100MM	100
63MM	90-100
37.5MM	60-80
20MM	15-30
10MM	0-5

DEPTH OF SUB-BASE  
IT IS RECOMMENDED THAT A SUB-BASE DEPTH OF 350MM SHOULD BE USED. THE DEPTH OF SUB-BASE MAY BE OF THE ENGINEER.

INTERGRID(S)\*- SC INTERGRID

ASPHALT RUNNING COURSE TO BE 20mm DENSE BITUMEN BASE COURSE MANUFACTURED WITH 125PEN BITUMEN TO BS EN 13108-1:2016.

SURFACE FINISH  
THE BLOCK SHOULD BE VIBRATED WITH A VIBRATING PLATE COMPACTOR FITTED WITH A BLOCK PAVING PAD (RUBBER MAT). FOLLOWING THE FIRST PASS WITH A VIBRATING PLATE ALIGHT DRESSING OF 2-4mm SINGLE SIZE CLEAN STONE SHOULD BE APPLIED TO THE SURF.

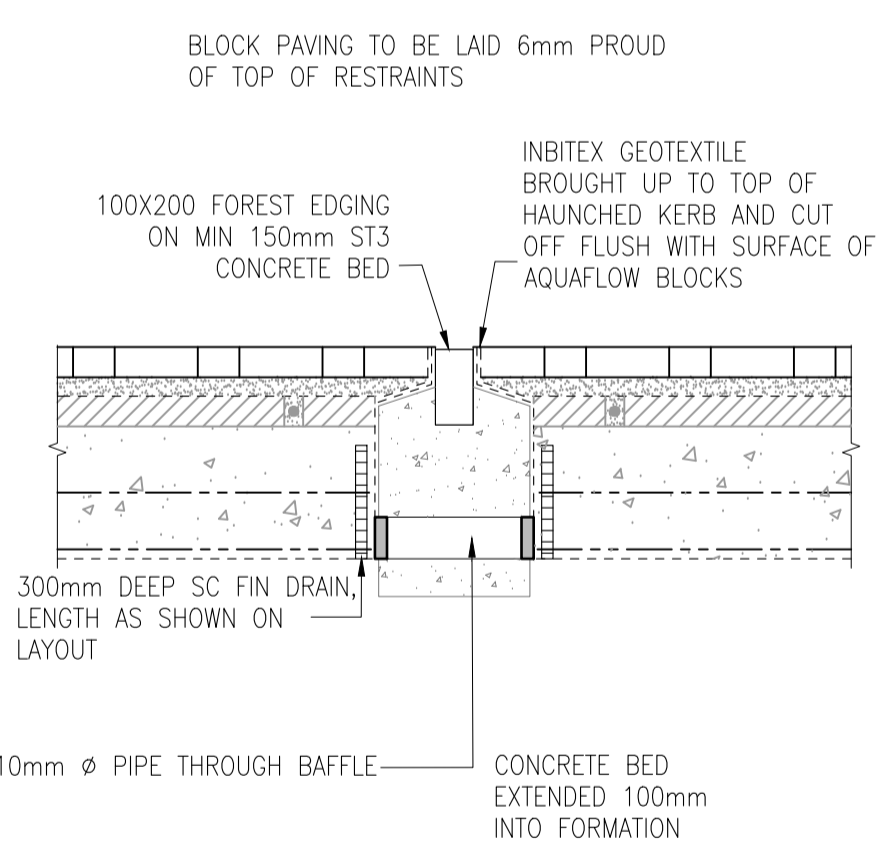
**NOTES:**

**GENERAL NOTES:**

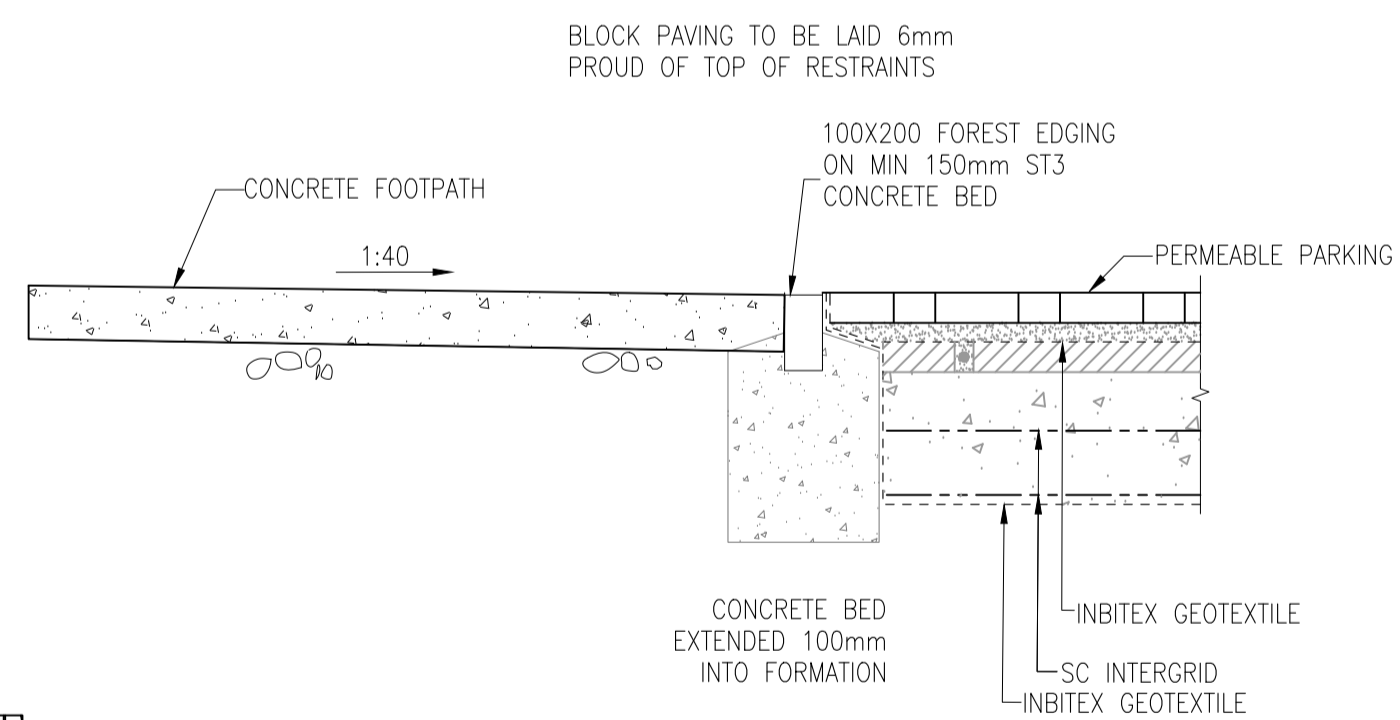
- THIS DRAWING TO BE READ IN CONJUNCTION WITH ALL RELEVANT ARCHITECTS, SERVICE ENGINEERS DRAWINGS & SPECIFICATIONS.
- ALL LEVELS ARE STRUCTURAL UNLESS NOTED OTHERWISE.
- ALL WORKS TO BE CARRIED OUT IN ACCORDANCE WITH THE RELEVANT BUILDING REGULATIONS.
- DO NOT SCALE - WORK TO FIGURE DIMENSIONS ONLY.

QUALITY  
ISO 9001:2000  
NSI Certified

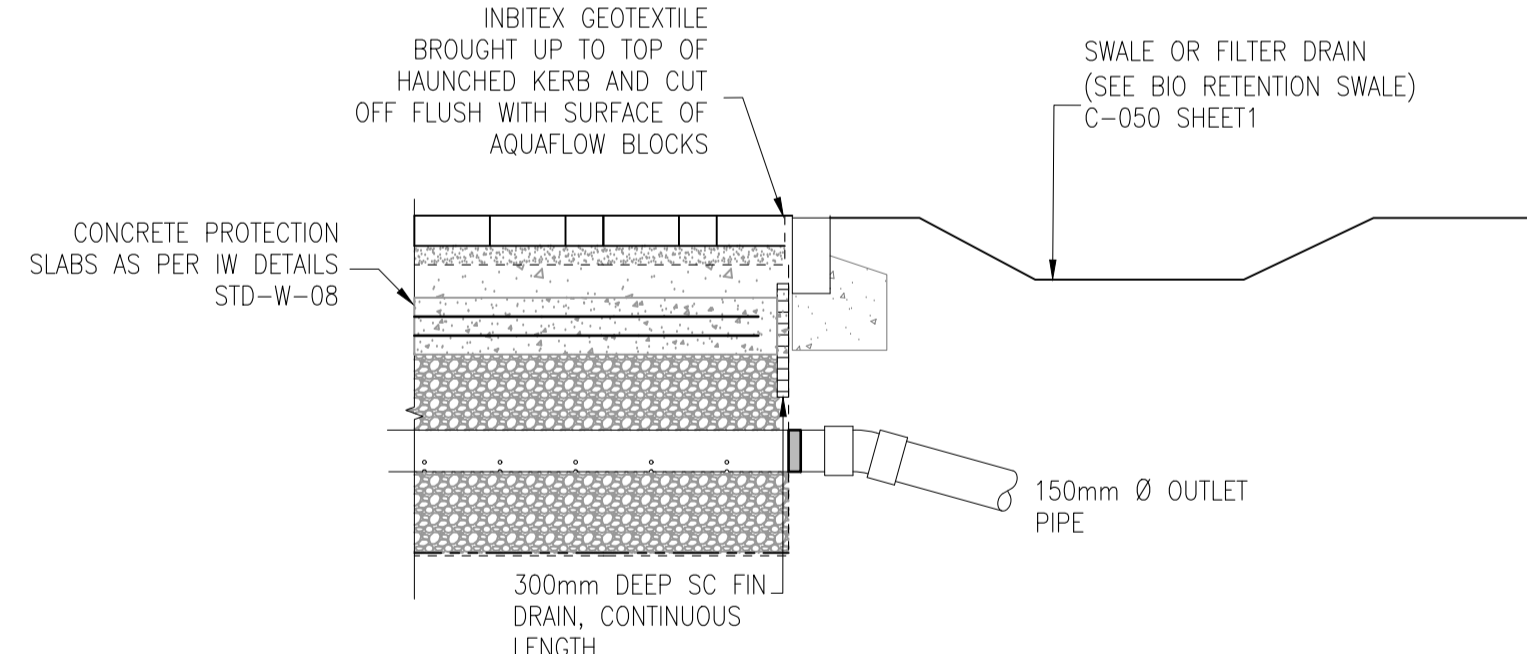
ENGINEERS  
IRELAND  
**cpd** ACCREDITED COMPANY



**FULL HEIGHT RESTRAINT DETAIL 110mm CONNECTING PIPE**  
(PROVIDE @ 6M C/C)



**FULL HEIGHT RESTRAINT DETAIL AT ENTRANCE**



**TYPICAL FIN DRAIN OUTLET DETAIL**  
(PROVIDE @ 5M C/C)

Referenced drawings	
Dwg No.	Dwg Title

Issue register					
Rev.	Date	Description	Own.	Chkd.	Apprv.
PL1	08.04.22	PART 8	TD	MC	NP

Client: **KILDARE CO CO.**

Job Description: **HOUSING DEVELOPMENT AT GREENSFIELDS, MAYNOOTH, Co. KILDARE**

Status: **PART 8**

Drawing Title: **NATURAL BASE SOLUTIONS DETAILS SHEET 2**

Project No: <b>21KK001</b>	Drawing Ref: <b>C-051</b>	Rev: <b>PL1</b>
Date: <b>03.12.21</b>	Scale: <b>AS SHOWN</b>	
Drawn By: <b>EH</b>	Checked By: <b>MC</b>	Approved By: <b>N.PATTERSON</b>

**Hayes Higgins Partnership**  
Gas House Lane, Kilkenny.

Gas House Lane, Kilkenny (056) 7764710 (056) 7723223 info@hayeshiggins.com  
58 Fitzwilliam Square, Dublin 2 (01) 6623231 (01) 6625004 admin@hayeshiggins.ie