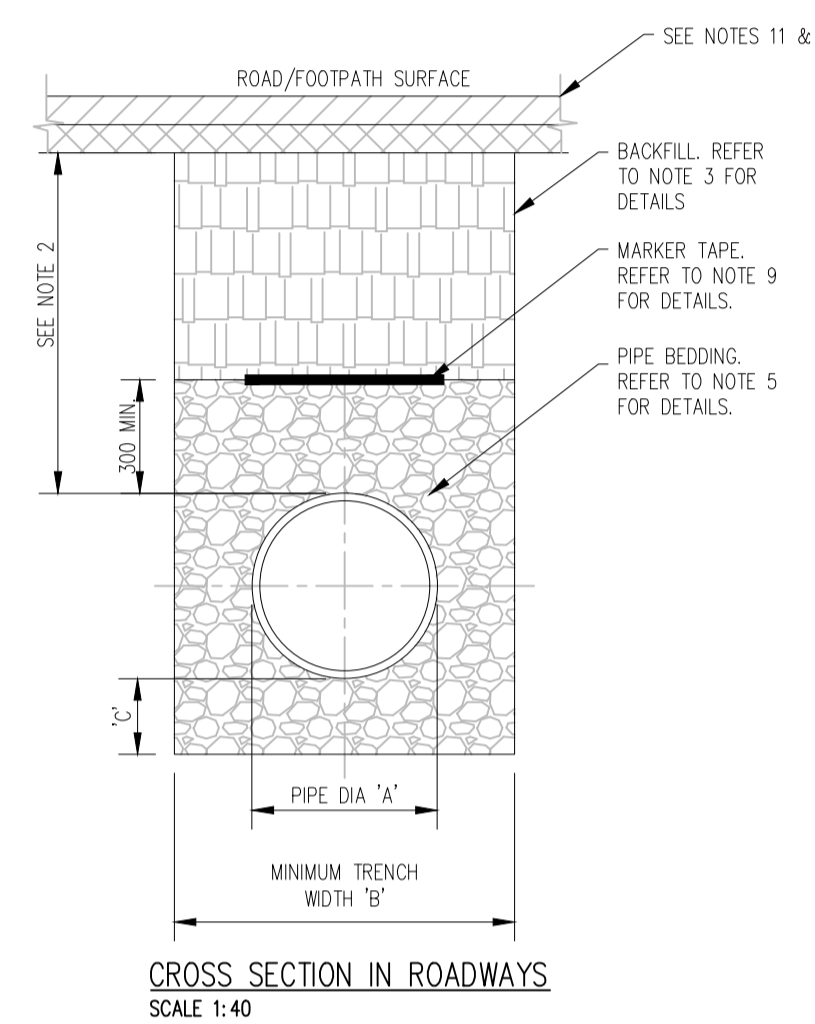
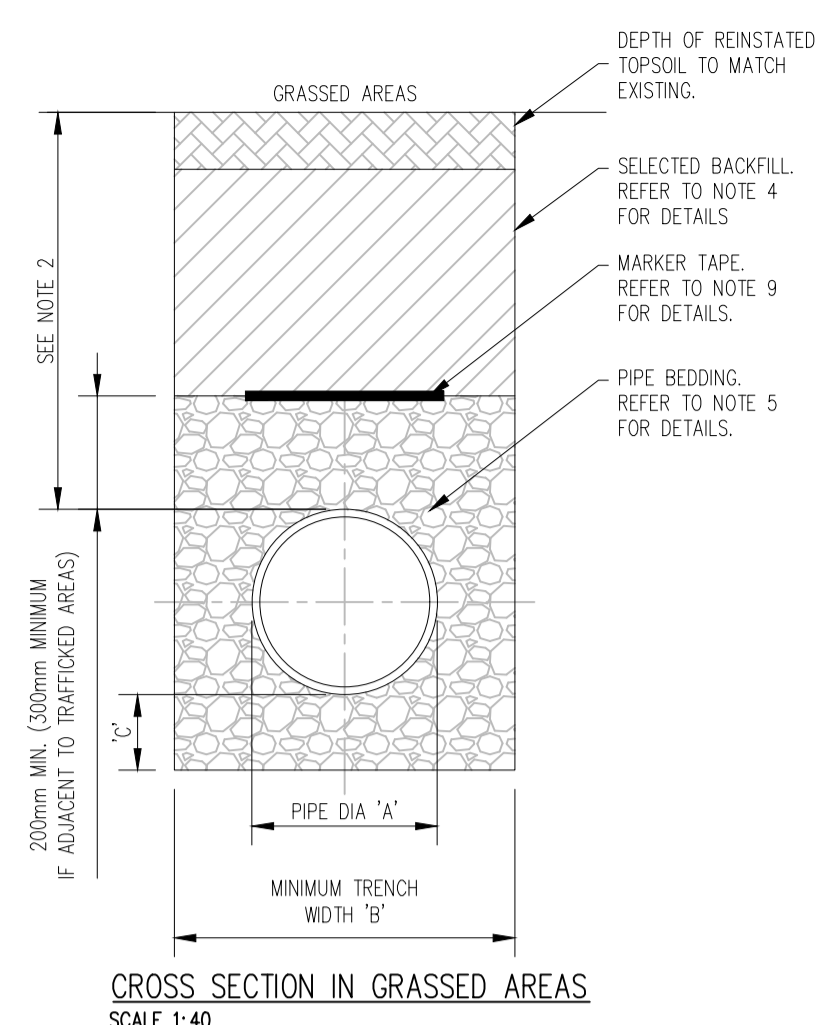


NOTES

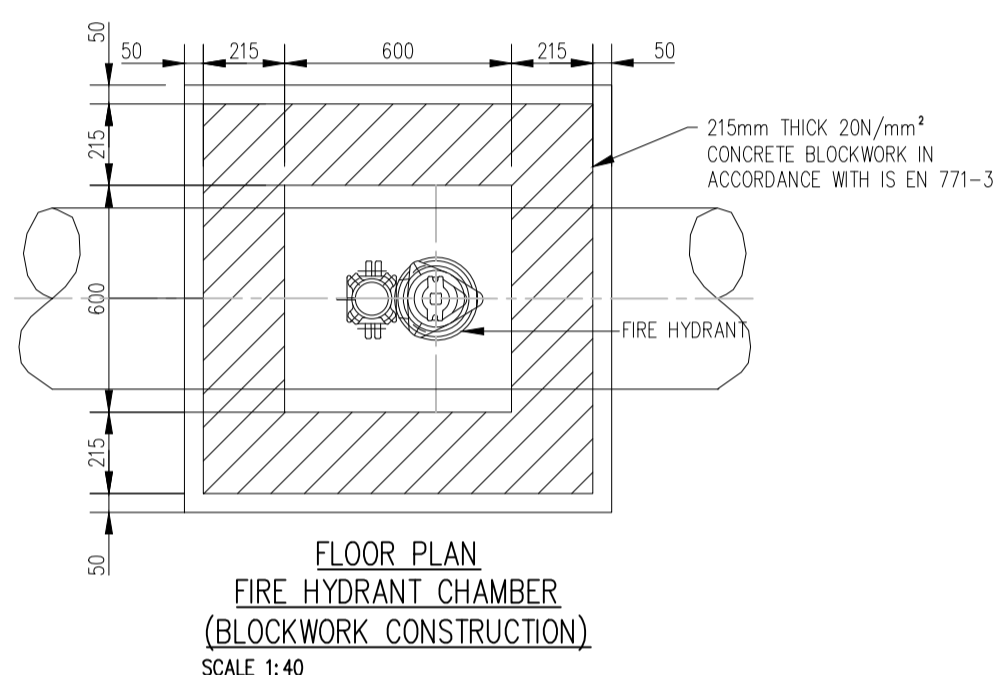
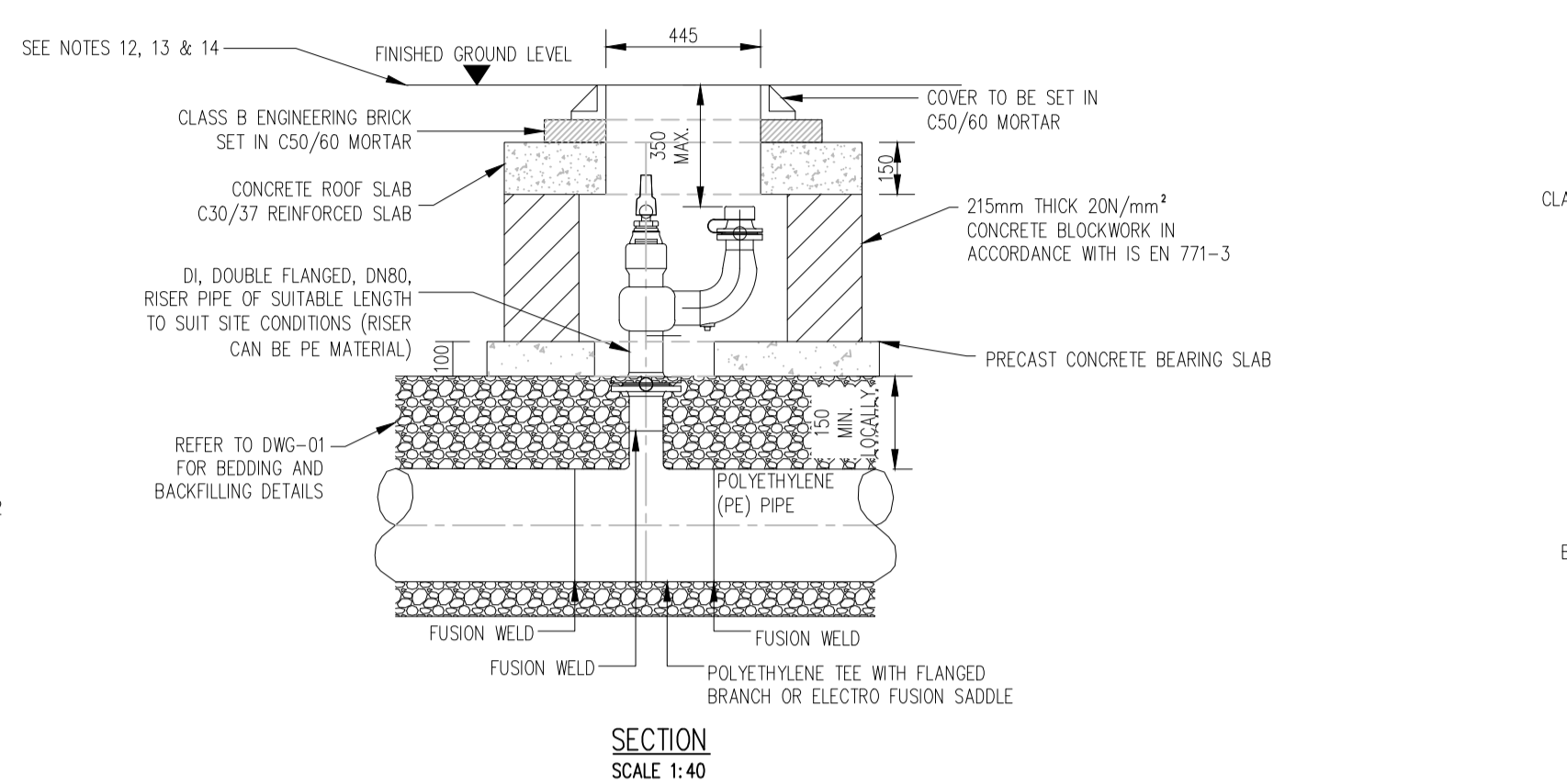
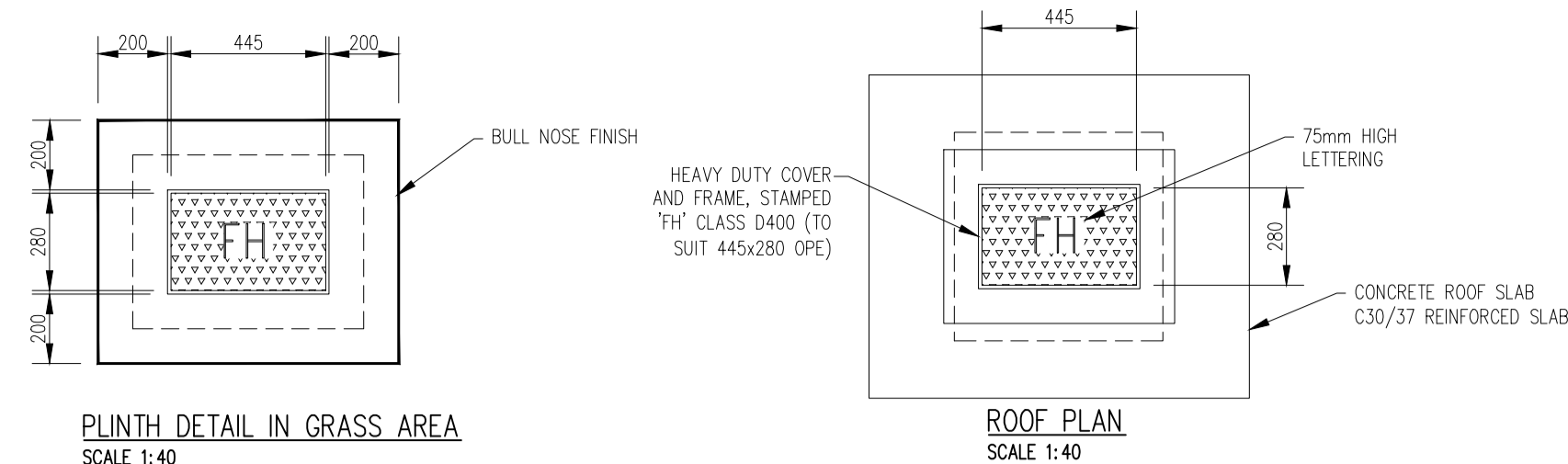
GENERAL

- 1.) THESE DRAWINGS TO BE READ IN CONJUNCTION WITH ALL RELEVANT HAYES HIGGINS ENGINEERING DRAWINGS AND SPECIFICATIONS.
- 2.) DO NOT SCALE. USE FIGURED DIMENSIONS ONLY.

PIPE DIAMETER 'A' (mm)	DEPTH OF BEDDING 'C' (mm)
≤ 200	150
≥ 250	200
PIPE DIAMETER 'A' (mm)	TRENCH WIDTH 'B' (mm)
≤ 80	SEE NOTE 10.
100	500
150	600
200	600
250	750
300	750
350	750
400	900
450	900

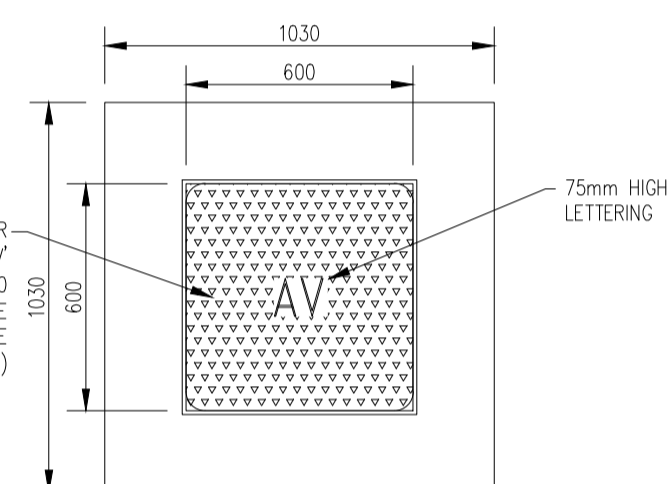
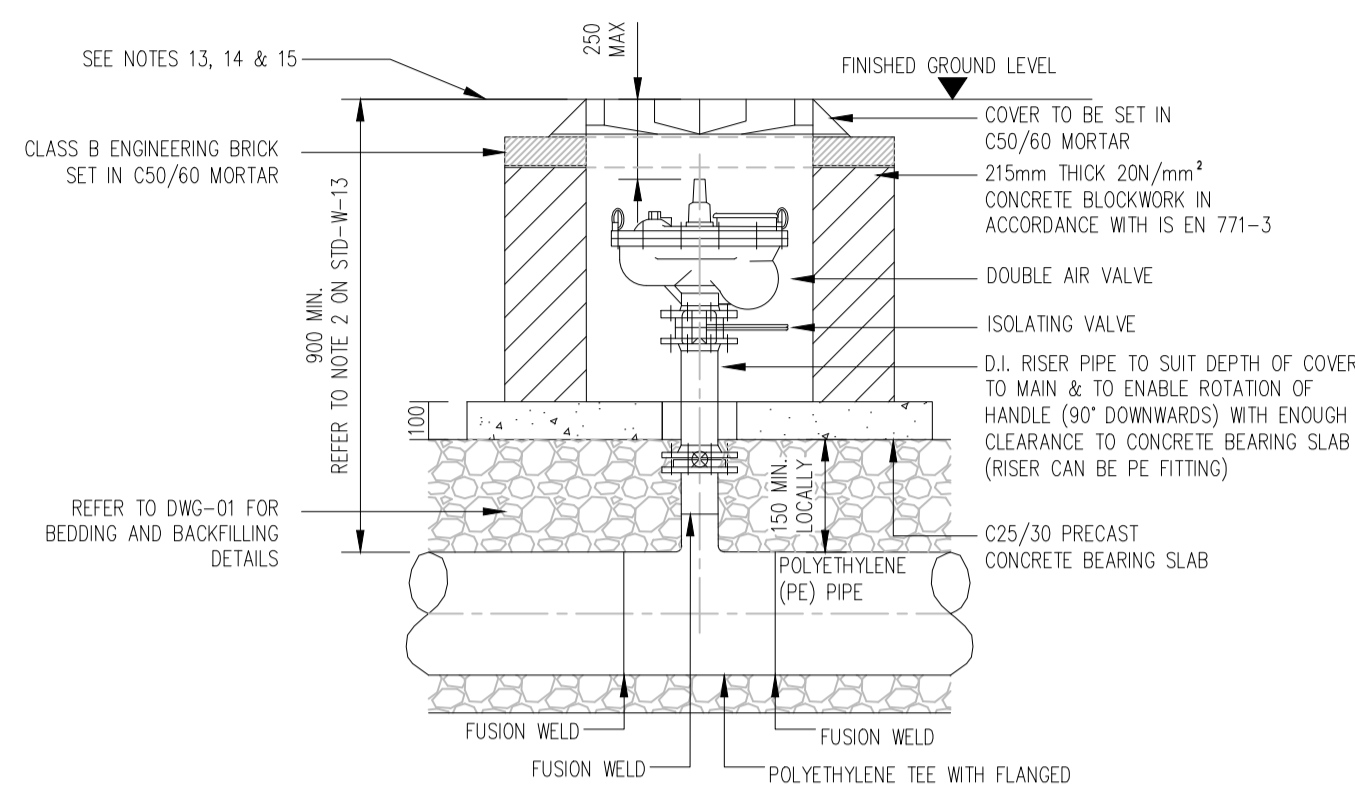
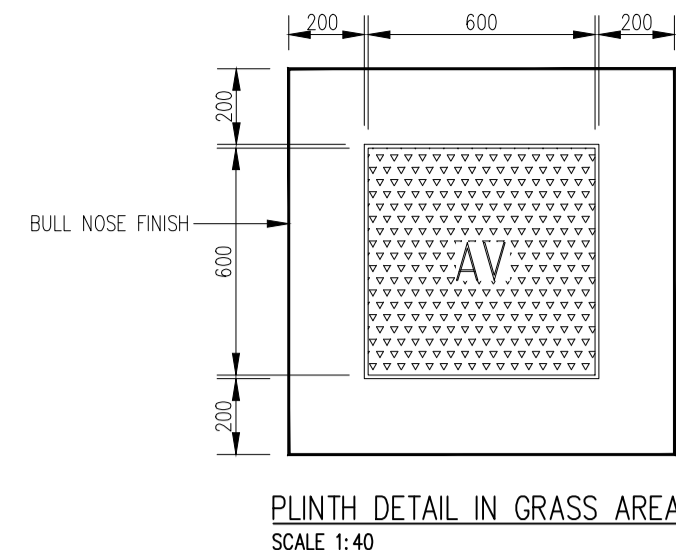


DETAIL 01 - TRENCH BACKFILL AND BEDDING

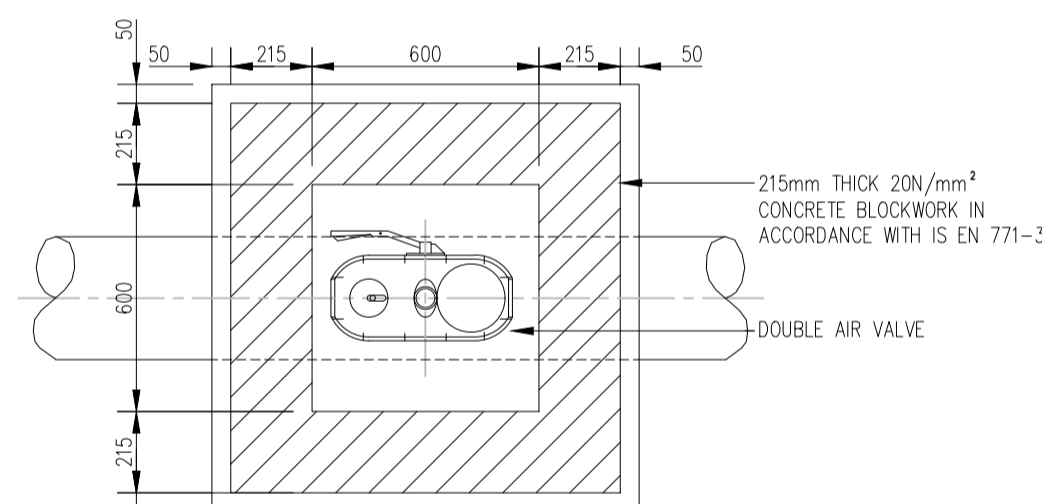


DETAIL 02 - ON-LINE HYDRANT FOR POLYETHYLENE (P.E.) PIPE

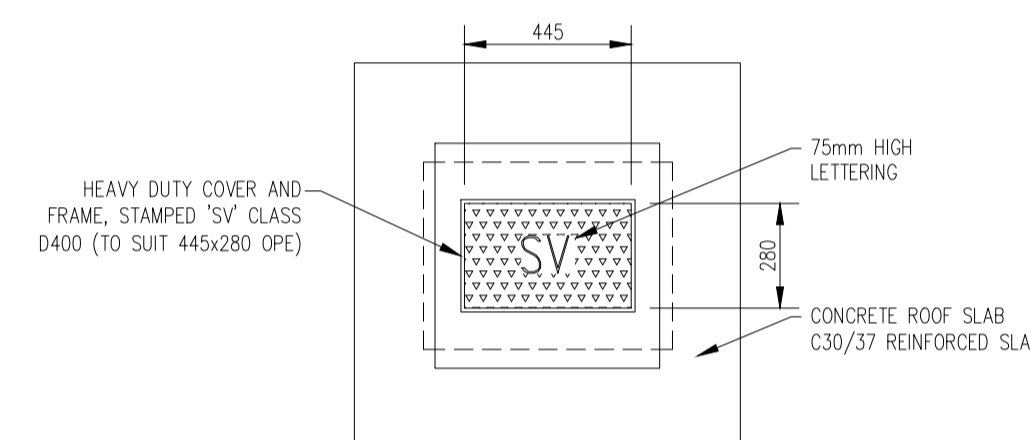
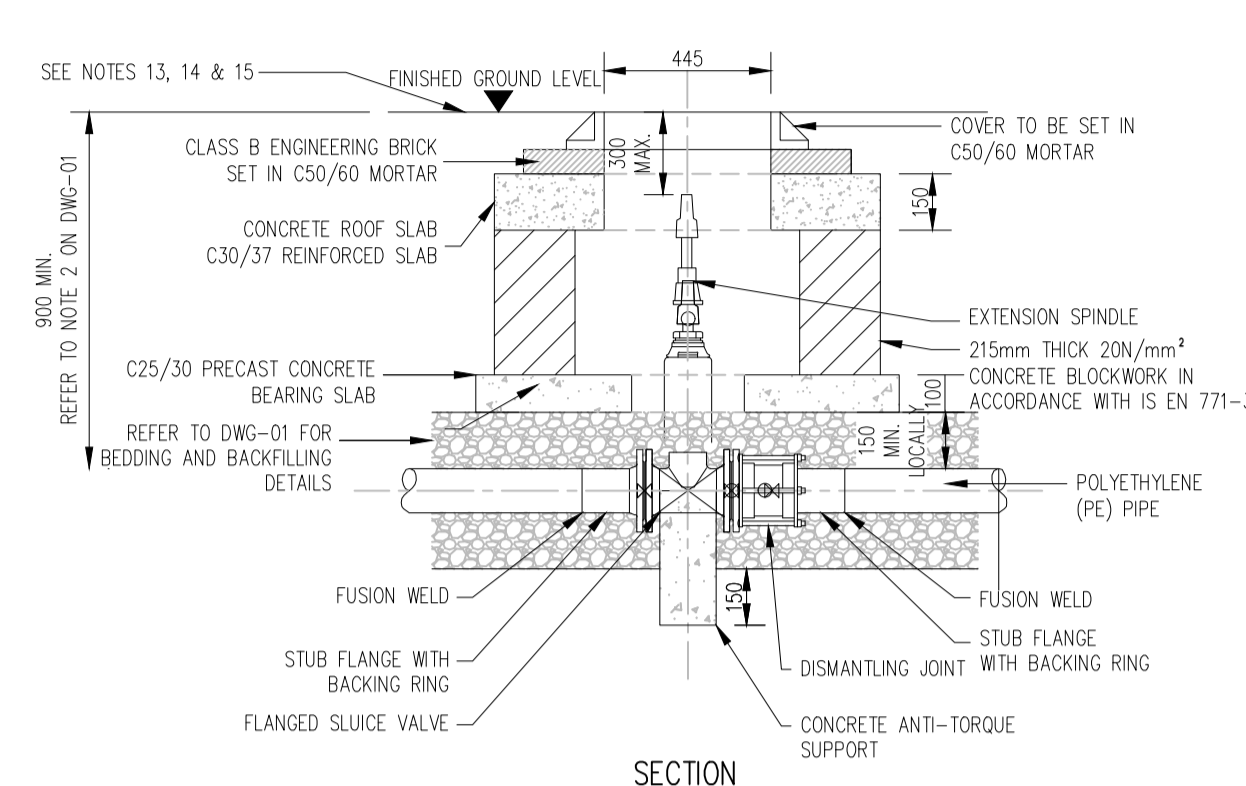
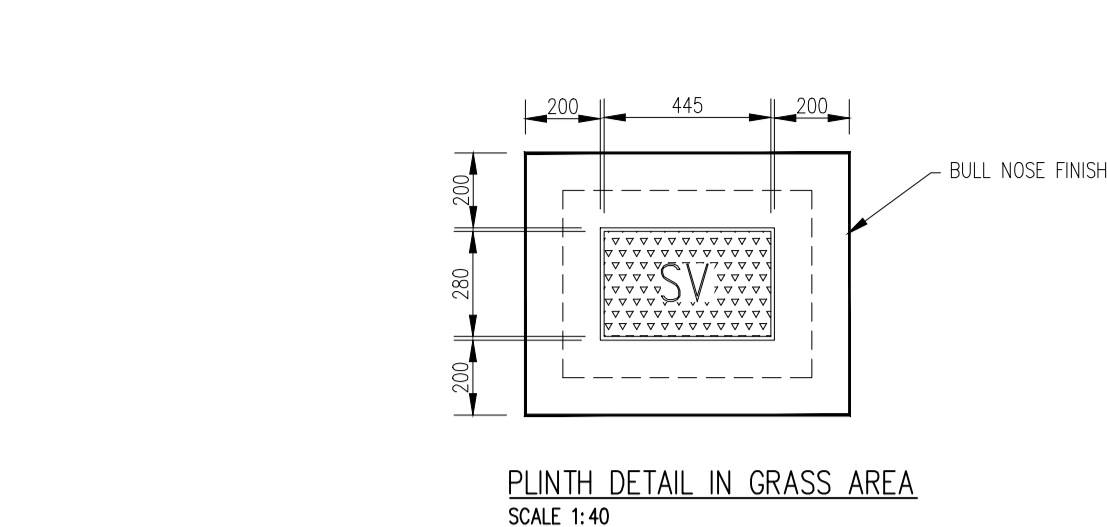
DIAMETER OF MAIN	UP TO 250 (mm)	250 TO 350 (mm)
DIAMETER OF BRANCH	80mm	100mm
BORE OF VALVE INLET	80mm	100mm



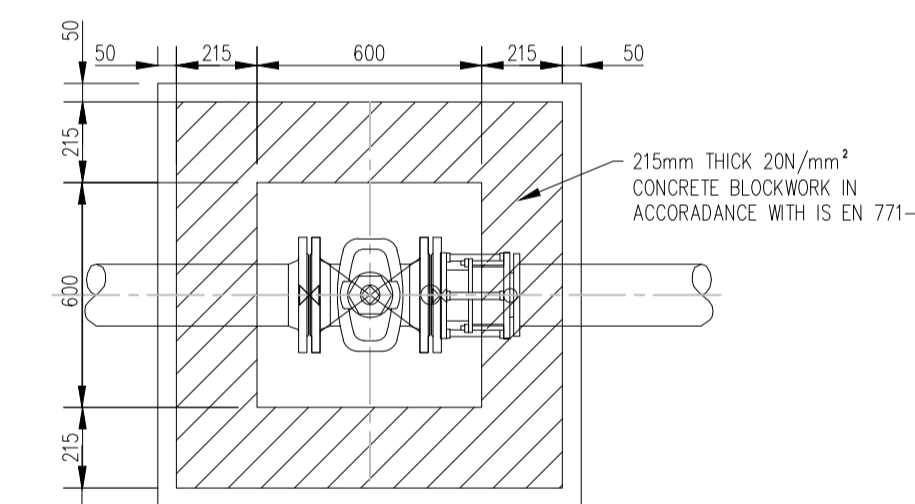
ROOF PLAN SCALE 1:40



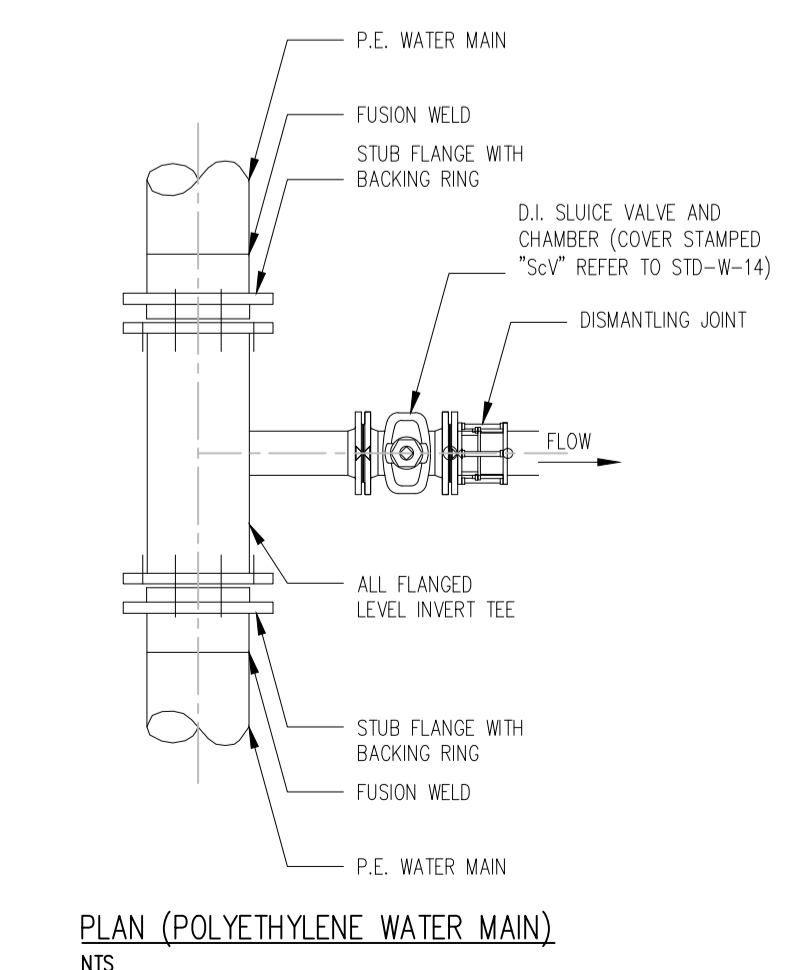
DETAIL 03 - ON-LINE AIR VALVE FOR POLYETHYLENE (P.E.) PIPE



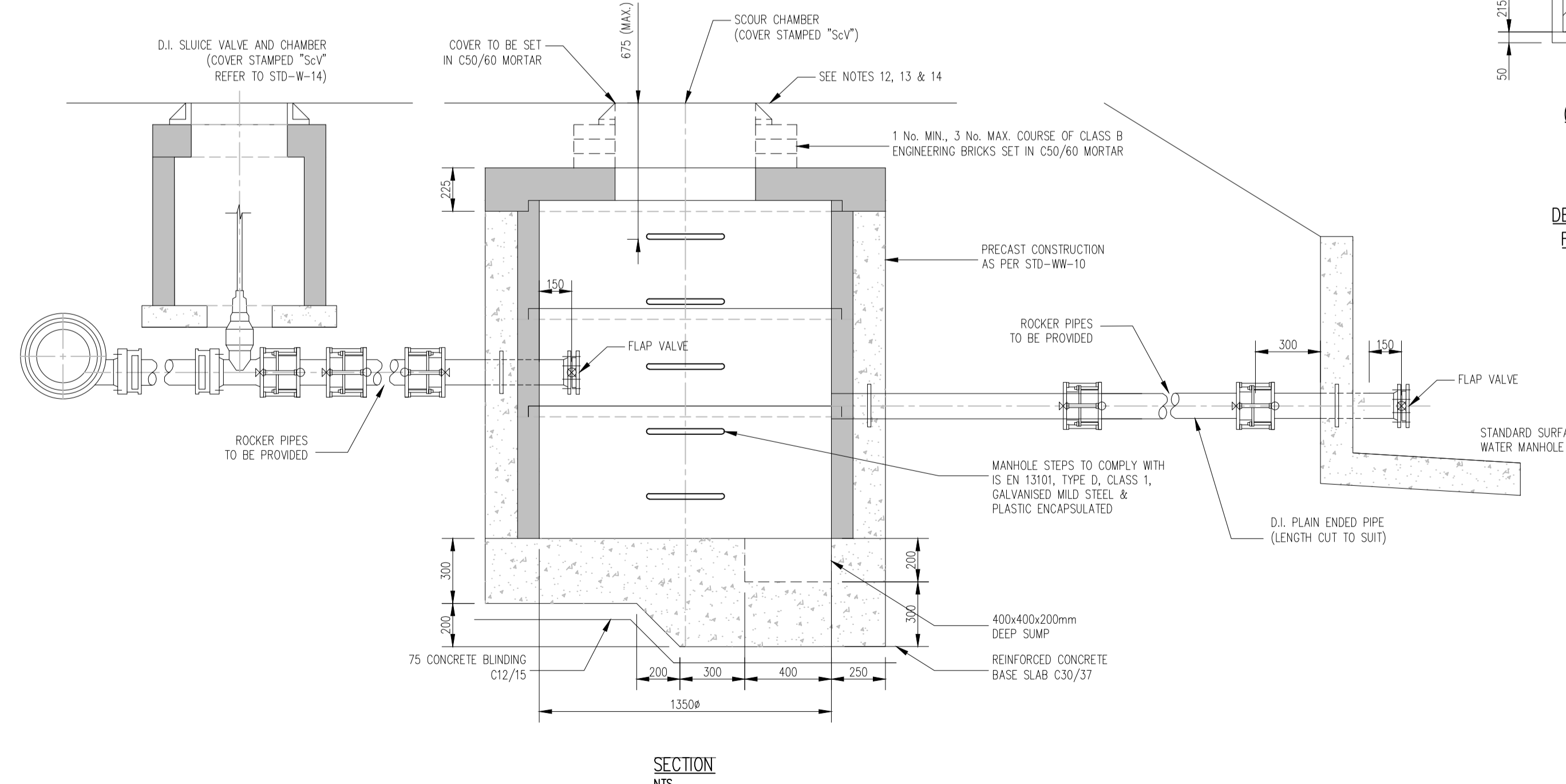
ROOF PLAN SCALE 1:40



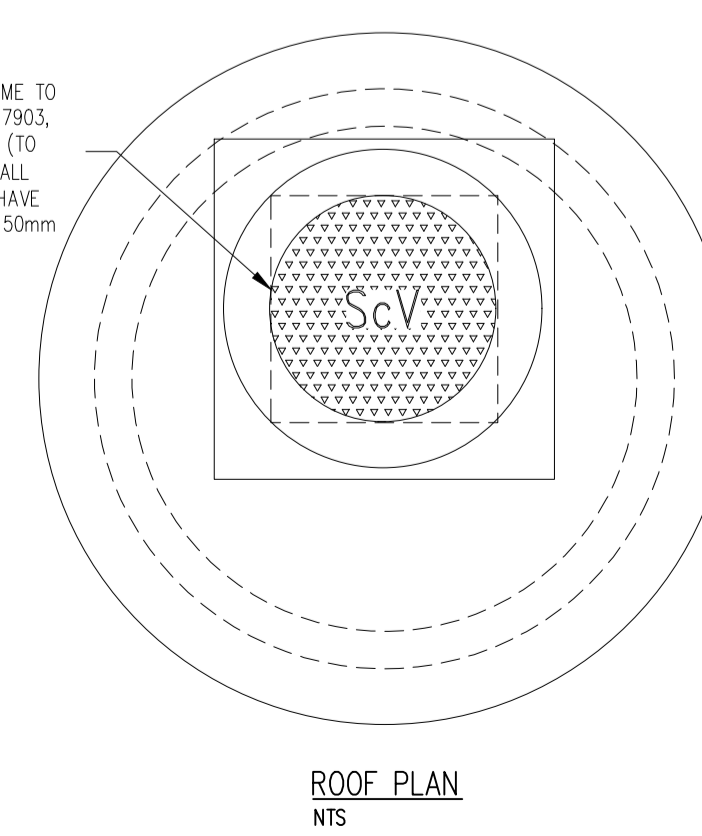
DETAIL 04 - SLUICE VALVE FOR POLYETHYLENE (P.E.) PIPE (<350mm Ø)



PLAN (POLYETHYLENE WATER MAIN) NTS



DETAIL 10 - SCOUR VALVE CHAMBER FOUL RISING MAIN (<200mm Ø)



ROOF PLAN NTS

ISSUED	P	10.08.23	ISSUED FOR PLANNING	FS	LM
REV	DATE	DESCRIPTION	DWG BY	APP BY	
PLANNING					
CLIENT SOPHIA HOUSING					
PROJECT NAME ST JOHN'S CONVENT RATHANGAN					
DRAWING NAME IRISH WATER WATERMAIN DETAILS SHEET 1 OF 4					
PROJECT No. 20D004					
DRAWING No. 04A		REVISION P			
SCALE AS SHOWN		DRAWN DATE 10.08.23			
CAD DRAWN BY F.S.	CHECKED BY L.M.	APPROVED BY D.H.			
HAYES HIGGINS PARTNERSHIP The Glass House, 11 Coke Lane Smithfield, Dublin 7. Tel: 01 6612321 E-mail: admin@hayeshiggins.ie Gas House Lane, Kilkenny. Tel: (056) 7764710 Email: info@hhp.ie					