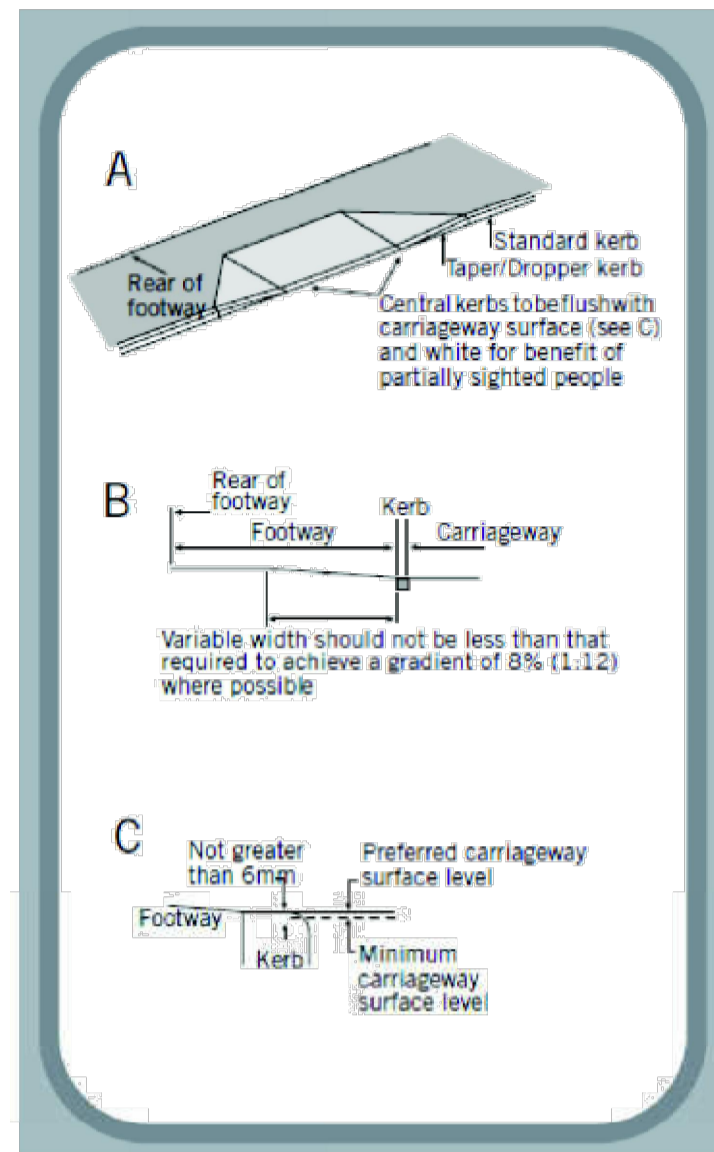
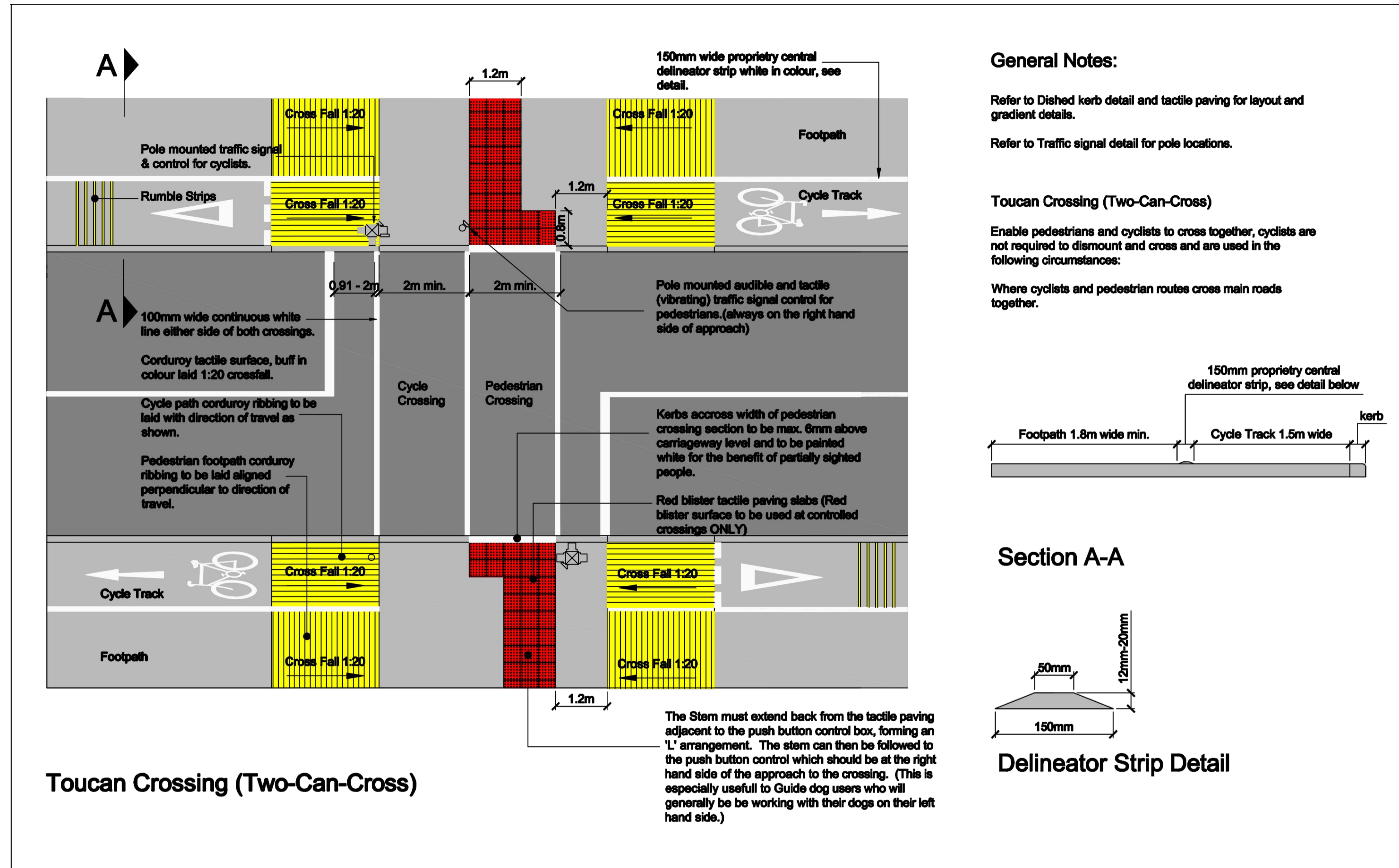


GENERAL NOTES:

1. REFER TO ARCHITECTS DRAWINGS FOR ALL SITE & APPLICATION BOUNDARIES
2. THIS DRAWING IS TO BE READ IN CONJUNCTION WITH ALL OTHER RELEVANT ENGINEER'S DRAWINGS AND SPECIFICATIONS
3. USE FIGURED DIMENSIONS ONLY. DO NOT SCALE
4. FOR ALL FLOOR LEVELS, ROAD LEVELS & ALL EXTERNAL YARD / GARDEN LEVELS REFER TO ARCHITECT'S DRAWINGS
5. REFER TO SURVEY DRAWINGS FOR EXISTING SERVICES LAYOUTS AND MANHOLE INFORMATION



DETAIL 'A' - Dished Crossing
(Page 201 Traffic Management Guidelines)

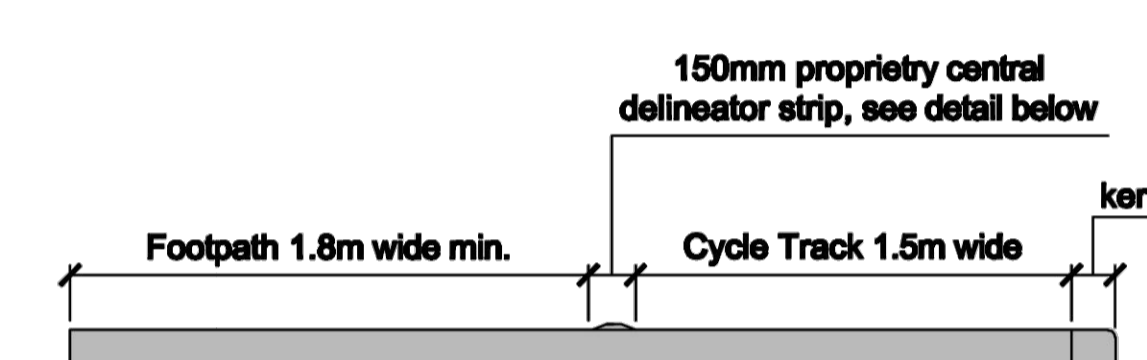


Toucan Crossing (Two-Can-Cross)

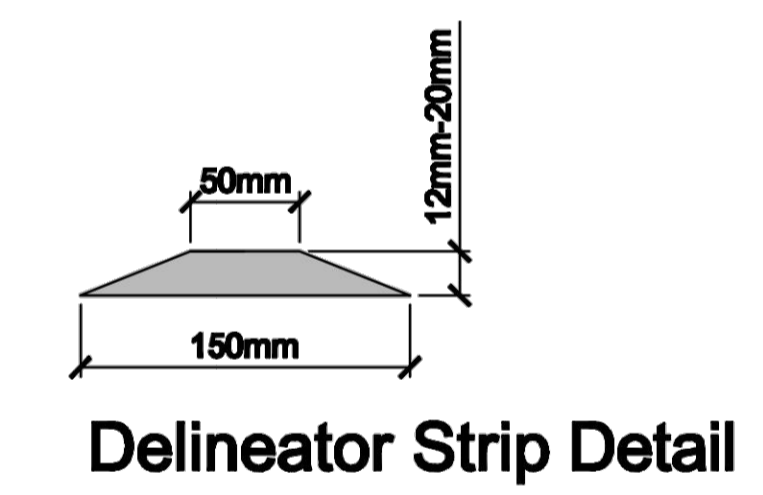
TYPICAL KCC TOUCAN CROSSING LAYOUT
SCALE NTS

General Notes:
Refer to Dished kerb detail and tactile paving for layout and gradient details.
Refer to Traffic signal detail for pole locations.

Toucan Crossing (Two-Can-Cross)
Enable pedestrians and cyclists to cross together, cyclists are not required to dismount and cross and are used in the following circumstances:
Where cyclists and pedestrian routes cross main roads together.

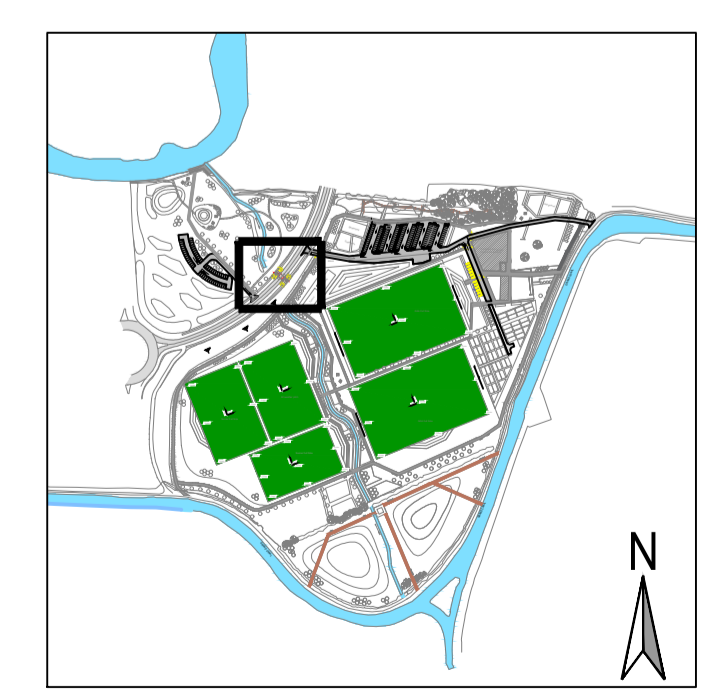


Section A-A



Delineator Strip Detail

! NOTE
THE DETAILS AS SHOWN ARE TYPICAL DETAILS AND ARE SUBJECT TO APPROVAL WITH KILDARE COUNTY COUNCIL.



KEY PLAN
Scale NTS

ISSUED FOR INFORMATION

S1.P03	ISSUED FOR INFORMATION	14.10.2021	JM	AL
S1.P02	ISSUED FOR INFORMATION	15.09.2021	JM	AL
S1.P01	ISSUED FOR INFORMATION	16.06.2021	JM	AL
Rev.	Note	Date	Drawn	Check

DONNACHADH O'BRIEN & ASSOCIATES CONSULTING ENGINEERS
UNIT 5C ELM HOUSE MILLENNIUM PARK NAAS CO. KILDARE
PHONE +353 45 984 042
INFO@DOBRIEN-ENGINEERS.IE WWW.DOBRIEN-ENGINEERS.IE

Client:	KILDARE COUNTY COUNCIL			
Project:	SALLINS PARK			
Drawing Title:	TYPICAL CROSSING LAYOUT			
Drawn By:	Checked By:	Approved By:	Date:	Scale:
JM	AL	DOB	MAY 21	AS SHOWN
Project Number:	Drawing Number:	Status Code:	Rev Number:	
DOBA2018	SALLPARK-DOB-00-SI- DR-C-0062	S1	P03	